

Massey Ferguson



A-513351M91-S9 Canvas Base Seat Cushion, Strap-On, GRY

Note: Two colors are available.

A-1690046M91-1 Canvas Base Seat Cushion, Strap-On, BLK

A-513351M91-B9 Seat Cushion, Bolt On, Wood Base, GRY

A-513353M91-9 Back Cushion, Wood Base, GRY

A-1690014M91-1 Back Cushion, Plastic Base, BLK

For Massey Ferguson Models: F40, TE20, TO20, TO30, TO35, 130, 135, 150 SN <-9A33014, 185, 202, 203, 204, 205, 230, 235, 250, 283, 35, 357, 50 SN 514381-533413, 65 UTIL, 85, 88, 95, 20, 30, 40, SUPER 35



A-1019806M91-16 Seat Cushion, Steel, GRY/RED

A-1024264M91-16 Back Cushion, GRY/RED

For Massey Ferguson Models: 90, 97



A-1041995M91-9 Seat Cushion, Bolt On, Wood Base, GRY

Note: Seat cushion is available in 2 colors.

A-1043315M91-1 Seat Cushion, Bolt On, Wood Base, BLK

A-1032434M91-9 Back Cushion, Plastic Base, GRY

A-1043314M92-9 Back Cushion, Plastic Base, BLK

For Massey Ferguson Models: 1080 1967-up, 150, 165, 175, 180, 235, 245, 254, 65



A-3280537M1-1 Seat Cushion, Wood Base, BLK

A-3280536M1-1 Back Cushion, Wood Base, BLK

For Massey Ferguson Models: 205, 205-4, 210, 210-4

*See pages 44-64 for reference pictures of seat dimensions and bolt patterns.



A-533813M96-1 Bracket Style Dishpan Unit, BLK
Note: Mounting type in rear view of picture.

For Massey Ferguson Models: 245, 254, 255 DELUXE, 255 STANDARD, 265 DELUXE, 265 ORCHARD, 265 STANDARD, 275 DELUXE, 275 STANDARD, 285 DELUXE, 285 STANDARD



A-TKBL Seat Cushion, Steel, BLK
Note: Includes trapezoid backrest & seat bottom. Fits Series T110, T222 & T300.

A-TKBL Back Cushion, Steel, 6.625" X 2.875" Mounting, BLK

For Massey Ferguson Models: 290, 294, 298, 360, 362, 375, 383, 390, 393, 394, 398, 399



A-CS115-5V Custom Seat Assy. w/o Flip-Up Arms, BLK/WHT **Ref. ST19*

A-CS140-1V Seat Assy. w/ Flip-Up Arms, BLK VINYL
Note: Necessary clearance for armrest: 21.5" arms up, 20.5" arms down, ION.

For Massey Ferguson Models: 1105, 1130, 1150, 90, 97



A-3536321M91-1 16" Narrow Seat w/ Narrow Mechanical Suspension, BLK

For Massey Ferguson Models: 1205, 253, 261, 354, 374, 384, 394, (364S, 374S, 374V, 384S, 394S ALL S/N <D03066)



A-CS126-1V Flip Style Dishpan w/ Brackets, 19.750" **Ref. ST26*
Note: The mounting pattern for each brand is indicated with a (letter) in the applications information, (A) = center mtg bolt, (B) = 8" X 11.5", (C)

A-VLD1628 Seat Bracket (1-LF & 1-RT)
Note: Used w/ VLD1590 Seat For Compact Tractors.

A-CS126BRKT Bracket Hardware, For CS126-1V Seat

For Massey Ferguson Models: 1010, 1020, 1030



A-1031153M91-5 Seat Cushion, WHT/BLK

A-1031155M91-5 Back Cushion, WHT/BLK

A-1031158M91-5 Upper Back Cushion, WHT/BLK

For Massey Ferguson Models: 1100, 1105, 1130, 1150



A-CSA2001-1V Seat Assy w/ Flip-Up Arms, Steel, BLK VINYL

For Massey Ferguson Models: 1085, 1105, 1135, 1150, 1155 LATE, 1805, 2640



A-VLD1590 16" Narrow Flip Style Dishpan w/ Brkts **Ref. ST22*
Note: Black seat w/ mounting brackets (universal brackets allow the seat pan to be fitted to most compact tractor models)

For Massey Ferguson Models: 1020, 1030, 1035, 1040, 1100, 1140, 1145, 210, 220, 220-4, 245, 36



A-200S1V Seat Cushion, Steel, BLK VINYL
Note: Bolt on style units, 2 colors with fabric or vinyl available.

A-230S1F Seat Base, Steel, BLK FABRIC

A-270S9F Seat, Steel, GRY FABRIC

A-550S1F Thick Back Cushion, Steel, BLK FABRIC

A-370C1F Tie-On Seat Cushion Cover, BLK FABRIC

A-490BC1F Tie-On Back Cover, BLK FABRIC

For Massey Ferguson Models: 1085, 1105, 1135, 1155 LATE



A-250S10F Seat Cushion, Steel, RED/BLK FABRIC w/ BLK VINYL

Note: Colors and material of picture is not correct.

A-259S10FV Seat Cushion, Steel, RED/BLK FABRIC & RED VINYL

A-200S7V Seat Cushion, Steel, RED VINYL

A-210S7V Back Cushion, Steel, RED VINYL

A-240S10F Back Cushion, Steel, RED/BLK FABRIC

A-249S10FV Back Cushion, Steel, RED/BLK FABRIC w/ RED VINYL

A-260S10F Back Cushion, Steel, RED/BLK FABRIC w/ BLK VINYL

A-530ARC1V Snap-On Armrest Cover, BLK VINYL

Note: The seat cushion fits only the bolt on new style mechanical.

For Massey Ferguson Models: 2675, 2705, 2745, 2775, 2805, 4800, 4840, 4880, 4900, 760 (1980>), (850, 860 ALL W/ SPAA BASE)



A-825577M1 Seat Pan, BLK

For Massey Ferguson Models: 130, TEA20, TED20, TEF20



A-1694519M91 Universal Seat, Trapezoid Back, BLK

For Massey Ferguson Models: 240 SN <A20286, 30E W/ Power Shuttle, 360, (375, 390, 398 ALL SN <B18008), 399 W/ A6.354.4 Eng., 40E, 50E



A-T110BL Seat, Universal w/ Trapezoid Back, BLK **Ref. ST08*

Note: Slide Track and Mounting Brackets; Backrest and Seat Bottom Moulded of Durable Plastic Composite with Padded In-Lays for Comfort; Sturdy Metal Frame

A-T110VL Seat, Universal w/ Trapezoid Back, LWL

A-AR22BL Armrest Assembly, RH/LH & Bracket, BLK

For Massey Ferguson Models:

*See pages 44-64 for reference pictures of seat dimensions and bolt patterns.



A-T222BL Seat w/ Trapezoid Backrest, BLK
Note: Black seat w/ full suspension, adjustable five angle base, slide track & mounting brackets

A-T222YL Seat w/ Trapezoid Backrest, YLW

A-T222BU Seat w/ Trapezoid Backrest, BLU
Note: Flat horizontal slide track base, w/ 2.375" vertical and 5.875" horizontal travel adjustment.

A-AR22BL Armrest Assembly LH/RH & Bracket, BLK
For Massey Ferguson Models: FITS SEVERAL MODELS



A-TF222BL Flip-Up Seat, Trapezoid Back, BLK
Note: Flip-up seat w/ full suspension, adjustable five angle base, slide track & mounting brackets.

A-TF222BU Flip-Up Seat, Trapezoid Back, BLU

A-TF222YL Flip-Up Seat, Trapezoid Back, YLW

A-AR22BL Armrest Assembly, RH/LH & Bracket, BLK

For Massey Ferguson Models: FITS SEVERAL MODELS



A-TKBL Cushion Kit, BLK
Note: Includes trapezoid backrest & seat bottom. Fits Series T110, T222 & T300.

A-TKYL Cushion Kit, YLW

A-TKBU Cushion Kit, BLU

For Massey Ferguson Models:



A-TW01 Weight Adjusting Screw w/ Knob
Note: Upper one. Fits Series 110, 222, 223 & 300.

A-TW02 Upper Spring Retainer
Note: Has I.D. thread.

A-TW03 Shock Absorber

A-TW05 Roller

Note: Two per seat on seat cushion support arms.

A-TW06 Slide

Note: 2 used per seat.

A-TW07 Height Adjusting Knob

Note: Two per seat, located on side.

A-TW08 222 SERIES, SEAT PIN

For Massey Ferguson Models:



A-W222BL Wrap Around Back w/ Arms, BLK
Note: Black seat w/ full suspension, adjustable 5 angle base, slide track & mounting brackets.

A-W222YL Wrap Around Back w/ Arms, YLW

A-W222BU Wrap Around Back w/ Arms, BLU

For Massey Ferguson Models: FITS SEVERAL MODELS



A-W223BL Wrap Around Back w/ Arms, Plastic, BLK
Note: Adjustable Five Angle Base, Slide Track, and Mounting Brackets; Backrest and Seat Bottom Moulded of Durable Plastic Composite with Padded In-Lays for Comfort; Sturdy Metal Frame and Full Suspension

A-W223BU Wrap Around Back w/ Arms, Plastic, BLU

A-W223YL Wrap Around Back w/ Arms, Plastic, YLW

For Massey Ferguson Models: FITS SEVERAL MODELS



A-W300BL Wrap Around Back w/ Arms, BLK
Note: Flat horizontal slide track base, w/ 2.375" vertical and 5.875" horizontal travel adjustment.

A-W300BU Wrap Around Back w/ Arms, BLU

For Massey Ferguson Models: FITS SEVERAL MODELS



A-WF222BL Flip-Up Seat, Wrap Around Back, BLK
Note: Flip-up seat w/ full suspension, adjustable 5 angle base, slide track & mounting brackets.

A-WF222YL Flip-Up Seat, Wrap Around Back, YLW

A-WF222BU Flip-Up Seat, Wrap Around Back, BLU

For Massey Ferguson Models: FITS SEVERAL MODELS



A-WKBL Cushion Kit, BLK
Note: Includes wrap-around backrest & seat bottom. Fits Series W222, W223 & W300.

A-WKYL Cushion Kit, YLW

A-WKBU Cushion Kit, BLU

For Massey Ferguson Models:



A-VLD1590 16" Narrow Flip Style Dishpan w/ Brkts
Note: Black seat w/ mounting brackets (universal brackets allow the seat pan to be fitted to most compact tractor models)

For Massey Ferguson Models:



A-TM333GR Michigan Style Seat, w/o Slide Track, GRY

A-TM333BL Michigan Style Seat, w/o Slide Track, BLK

A-TM333YL Michigan Style Seat, w/o Slide Track, YLW

For Massey Ferguson Models:



A-TM555BL Seat, Michigan Style, BLK
Note: Deluxe Cushion, w/o Slide Track

A-TM555GR Seat, Michigan Style, GRY

A-TM555YL Seat, Michigan Style, YLW

A-TM555CA Seat, Michigan Style, CAMO

A-SSM100 Seat Suspension, Scissor Type

For Massey Ferguson Models:

*See pages 44-64 for reference pictures of seat dimensions and bolt patterns.



*Ref. ST05

A-TMS111GR Seat, Michigan Style, w/ Slide Track, Deluxe Cushion, GRY

Note: Slide track width adj. 3.897" to 10.275", slide track hori. adj. max. of 6.700".

A-TMS111BL Seat, Michigan Style, w/ Slide Track, Deluxe Cushion, BLK

A-TMS111YL Seat, Michigan Style, w/ Slide Track, Deluxe Cushion, YLW

A-SSM100 Seat Suspension, Scissor Type

A-ST100 Slide Track Set

For Massey Ferguson Models:



*Ref. ST12

A-TMS444GR Seat, Michigan Style, w/ Slide Track, GRY

Note: Slide track width adj. 3.897" to 10.275", slide track hori. adj. max. of 6.700".

A-TMS444BL Seat, Michigan Style, w/ Slide Track, BLK

A-TMS444YL Seat, Michigan Style, w/ Slide Track, YLW

A-SSM100 Seat Suspension, Scissor Type

A-ST100 Slide Track Set

For Massey Ferguson Models:



*Ref. ST06

A-LGS100BL Seat, Lawn & Garden, w/ Slide Track, BLK

Note: Slide track width adj. 3.897" to 10.275", slide track hori. adj. max. of 6.700".

A-LGS100YL Seat, Lawn & Garden, w/ Slide Track, YLW

A-SSM100 Seat Suspension, Scissor Type

A-ST100 Slide Track Set

For Massey Ferguson Models:



*Ref. ST14

A-SSM100 Seat Suspension, Scissor Type
Note: Suspension for seats: TM555BL, TMS555YL, TM555CA, TM555GR, TM333BL & TM333YL, TM333GR, LGS100YL & LGS100BL

For Massey Ferguson Models:



*Ref. ST13

A-ST100 Slide Track Set

Note: Used with seats: TMS111BL, TMS111YL, TMS444BL & TMS444YL, LGS100YL, LGS100BL

For Massey Ferguson Models:



*Ref. ST07

A-LMS2002 Seat, Lawn/Garden, BLK

Note: The mounting pattern for each brand is indicated with a (letter) in the applications information, (A) = center mtg bolt, (B) = 7.5" X 7", (C) =

A-LMS2002YL Seat, Lawn/Garden, YLW

For Massey Ferguson Models:



*Ref. ST15

A-T500GY Seat, Universal w/ Slide Track & Flip-Up Armrests, Plastic Pan, GRY VINYL

A-T500BL Seat, Universal w/ Slide Track & Flip-Up Armrests, BLK VINYL

Note: For most tractors, off-road equipment & mowers with flat mounting base.

A-T500ARM Armrests, Adjustable, Set 2, BLK

Note: For Seat T500BL

For Massey Ferguson Models:



*Ref. ST23

A-FLS122BL Forklift Seat, BLK

Note: Fits most forklifts

For Massey Ferguson Models:



*Ref. ST20

A-FLS322BL Forklift Seat, Shock Absorbing Spring, BLK

Note: Fits most forklifts

For Massey Ferguson Models:



*Ref. ST26

A-CS126-1V Flip Style Dishpan w/ Brackets, 19.750"

Note: The mounting pattern for each brand is indicated with a (letter) in the applications information, (A) = center mtg bolt, (B) = 8" X 11.5", (C) =

A-VLD1628 Seat Bracket (1-LF & 1-RT)

Note: Used w/ VLD1590 Seat For Compact Tractors.

A-CS126BRKT Bracket Hardware, For CS126-1V Seat

For Massey Ferguson Models:



*Ref. ST17

A-CS128-1V High Back Dishpan, BLK

Note: Universal bolt on seat. Has a hole for safety switch.

A-AR128-1V Armrest Assembly For Seat Above

A-ST100 Slide Track Set

For Massey Ferguson Models:



*Ref. ST27

A-CS133-1V High Back, Moulded Dishpan Seat, BLK

Note: Bolt pattern: 8" X 11.5" & 11.25" X 11.5"

A-ST100 Slide Track Set

For Massey Ferguson Models:



*Ref. ST19

A-CS140-1V Seat Assy. w/ Flip-Up Arms, BLK VINYL

Note: Necessary clearance for armrest: 21.5" arms up, 20.5" arms down, ION.

For Massey Ferguson Models: FITS SEVERAL MODELS



*Ref. ST18

A-HIS360 High Back Industrial Seat w/ Suspension, Slide Track & Armrests, BLK

For Massey Ferguson Models:

*See pages 44-64 for reference pictures of seat dimensions and bolt patterns.



A-RSB22 Retractable Seat Belt

For Massey Ferguson Models:



A-3284599M91 Flip Style Dishpan w/ Brackets, 19.750"

For Massey Ferguson Models: (1010, 1020 ALL Hydro Trans), (1010, 1020 ALL Manual Trans), 1030 < 2WD 02067, 1030L TOW, 1030L 2WD 02067, 1030L 4WD 41713, 1035, 1040, 1045



A-3784092M92 Seat, Grammer; Manual Adjust
Replaces: 3780360M91, 3782539M91, 3389500M2, 1687099M91, 3580784M91

For Massey Ferguson Models: 3050, 3060, 3065, 3070, 3075, 3090, 3095, 3120, 3120T, 3125, 3140, 3505 Late Model, (3525, 3545 ALL SN T105209->), 3630, 3645, 3650, 3655, 3660, 3670, 3680, 3690, 6140, 6150, 6170, 6180, 6190, 6235, 6245, 6255, 6265, 6270, 6280, 6290, (670, 690, 698 ALL SN K319014->), 699, 8120, 8140, 8150, 8160, 8210, 8220, 8240, 8250, 8270, 8280



A-T122BL Seat, Non-Susp./Slide Track/BLK
**Ref. ST43*
Note: Fits: Forklifts, Compact Tractors & Skidsteers

For Massey Ferguson Models: FITS SEVERAL MODELS



A-SBKT Seat Belt

For Massey Ferguson Models: FITS SEVERAL MODELS
For Universal Seats



A-3698466M91 Steel Pan Seat

A-1690046M91-1 Canvas Base Seat Cushion, Strap-On, BLK

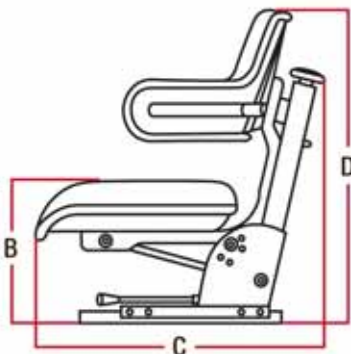
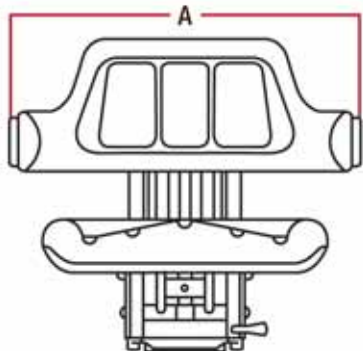
A-513351M91-S9 Canvas Base Seat Cushion, Strap-On, GRY

Note: Two colors are available.

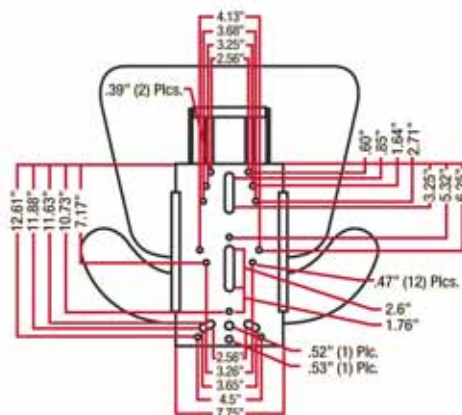
For Massey Ferguson Models: 135 UK, 165 UK, 175 UK, 178, 231, 240, 250, 275 UK, 283 UK, 290 UK, 360, 375, 383, 390, 390T, 398, 399, FE35

*See pages 44-64 for reference pictures of seat dimensions and bolt patterns.

ST01 - pgs. 6, 14, 20, 24, 29, 31, 35, 39, 42

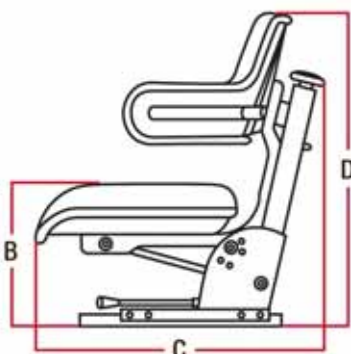
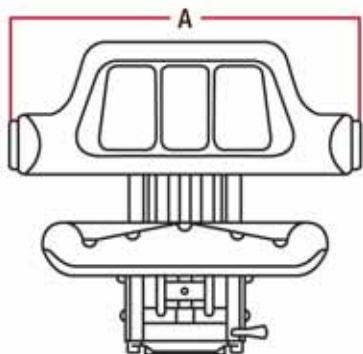


A = 22"
B = 11" (flip-up)
C = 22.75"
D = 20.25"

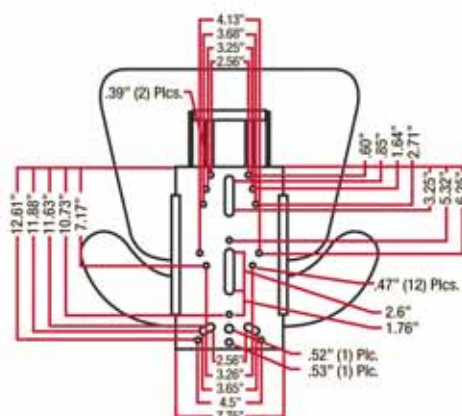


Bolt Pattern

ST02 - pgs. 7, 14, 19, 21, 24, 31, 35, 42

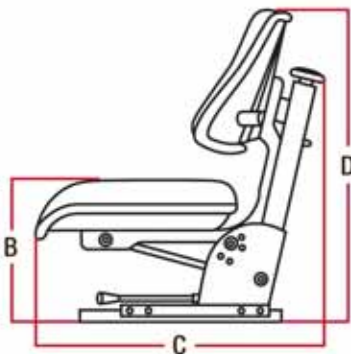
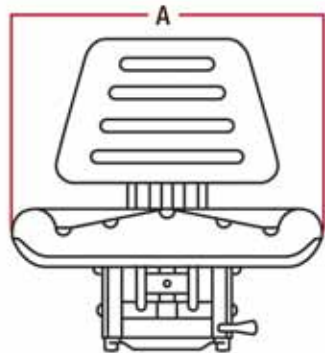


A = 21.75"
B = 9.5"
C = 21.25"
D = 20.5"

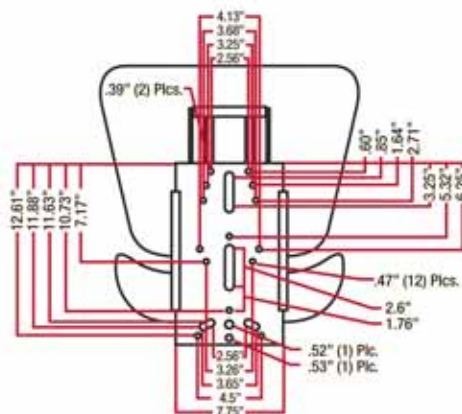


Bolt Pattern

ST03 - pgs. 7, 14, 19, 24, 31, 35, 39, 41

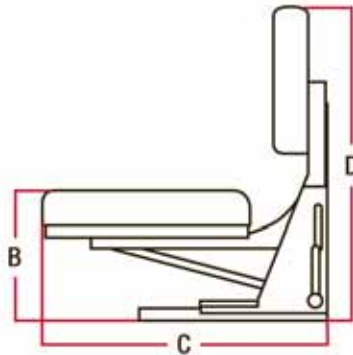
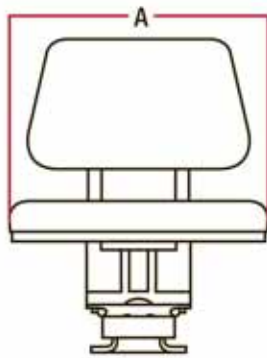


A = 20"
B = 11" (flip-up)
C = 21.5"
D = 21.5"



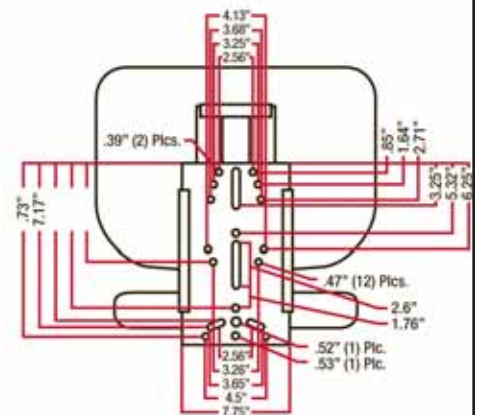
Bolt Pattern

ST04 - pgs. 8, 13, 19, 24, 31, 35, 39, 41



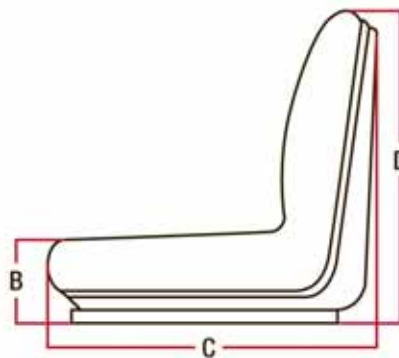
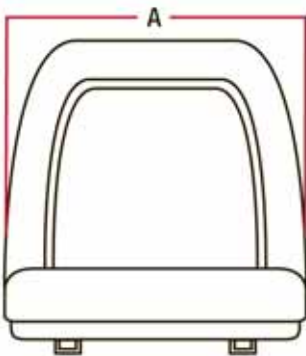
A = 18.5"
B = 8.5"

C = 20"
D = 21"



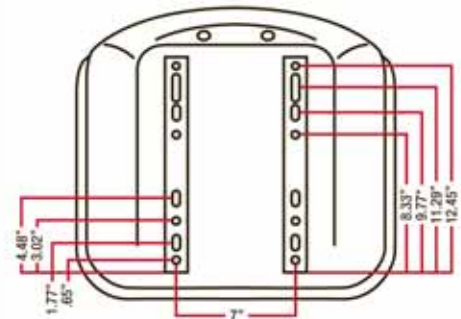
Bolt Pattern

ST05 - pgs. 9, 14, 20, 24, 32, 36, 40, 42



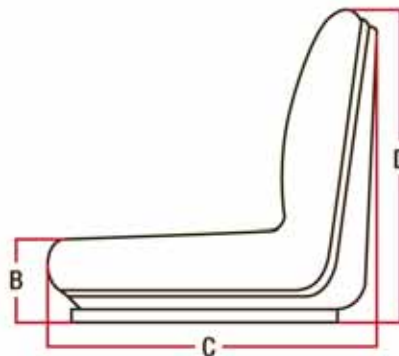
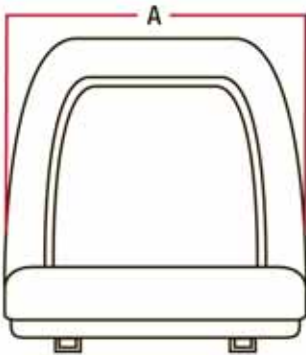
A = 18"
B = 5"

C = 15.625"
D = 18"



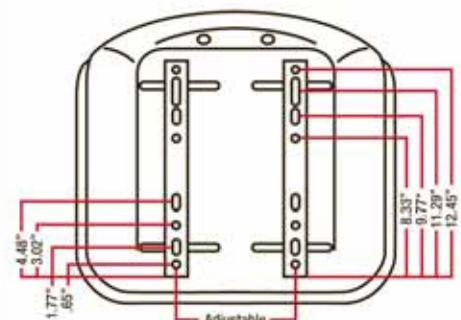
Bolt Pattern

ST06 - pgs. 10, 15, 20, 25, 32, 36, 39, 42



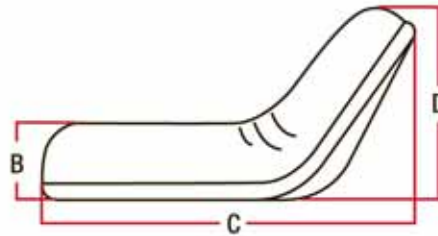
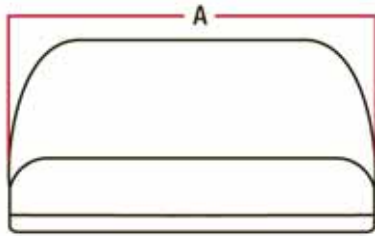
A = 15.5"
B = 3"

C = 18"
D = 14.5"



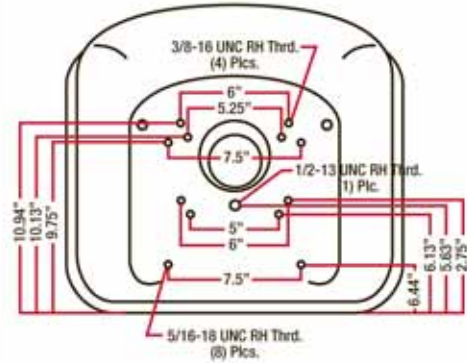
Bolt Pattern

ST07 - pgs. 9, 15, 20, 25, 26, 32, 36, 38, 43



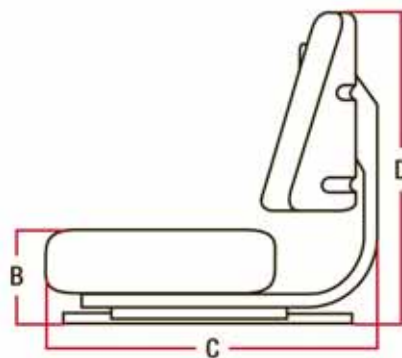
A = 19"
B = 3"

C = 18.5"
D = 13"



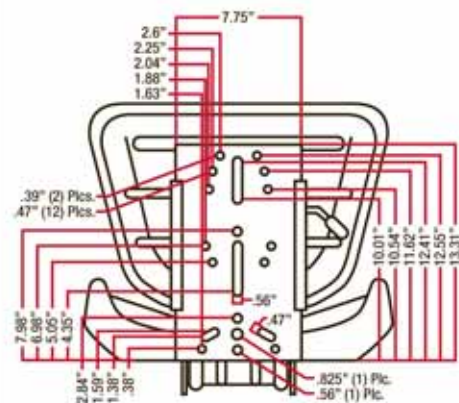
Bolt Pattern

ST08 - pgs. 5, 13, 19, 23, 30, 34, 39, 41



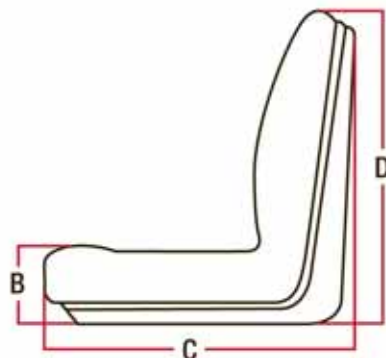
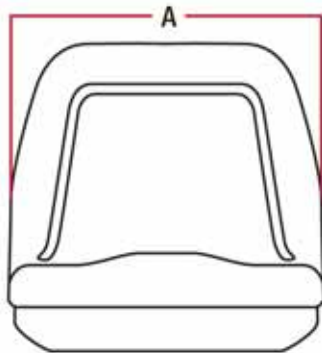
A = 18.5"
B = 6.25"

C = 18.5"
D = 17.75"



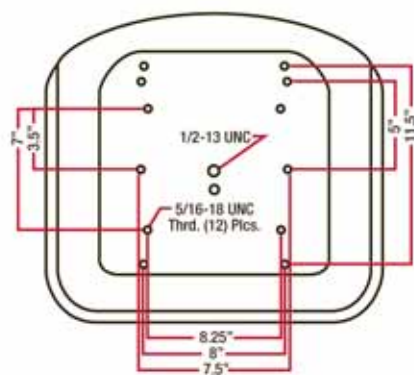
Bolt Pattern

ST09 - 10, 14, 20, 24, 31, 35, 39, 42



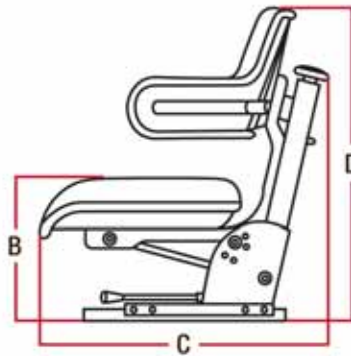
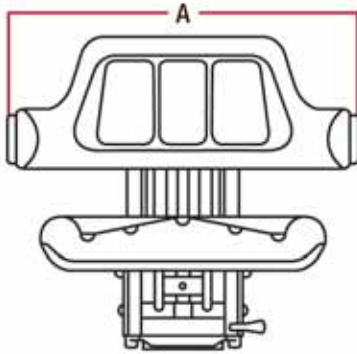
A = 18"
B = 5.5"

C = 18.25"
D = 13.25"

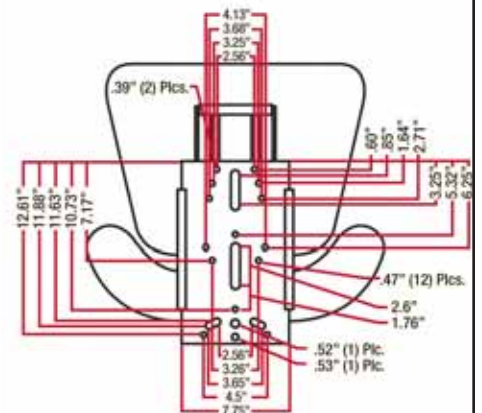


Bolt Pattern

ST10 - pgs. 5, 14, 20, 21, 23, 31, 35, 42

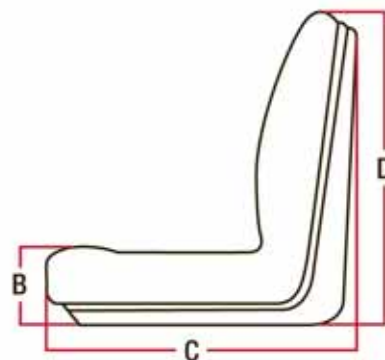
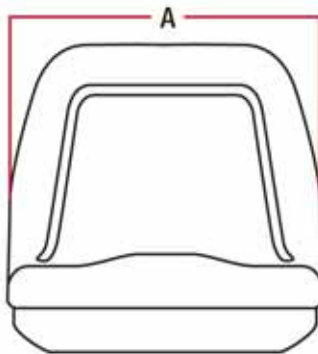


A = 19.5" **C = 19.5"**
B = 10.5" **D = 19.5"**

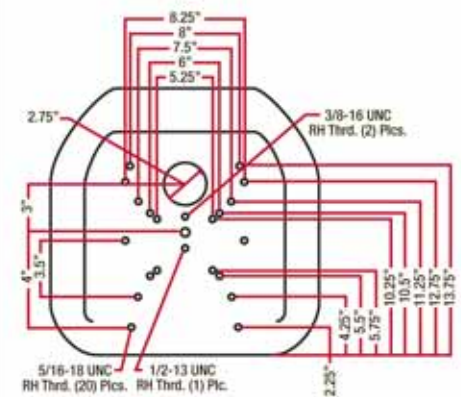


Bolt Pattern

ST11 - 9, 14, 20, 24, 31, 35, 39, 42

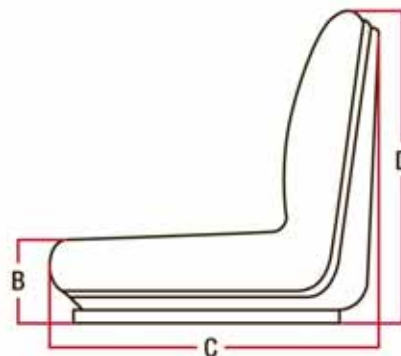
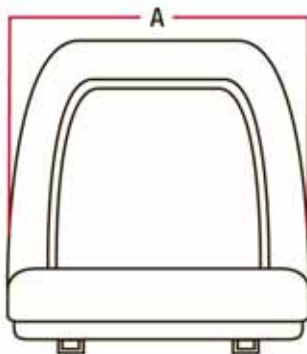


A = 18.5" **C = 19.5"**
B = 5.5" **D = 16"**

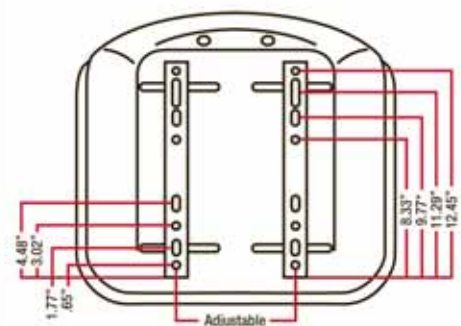


Bolt Pattern

ST12 - pgs. 10, 14, 20, 24, 32, 36, 40, 42

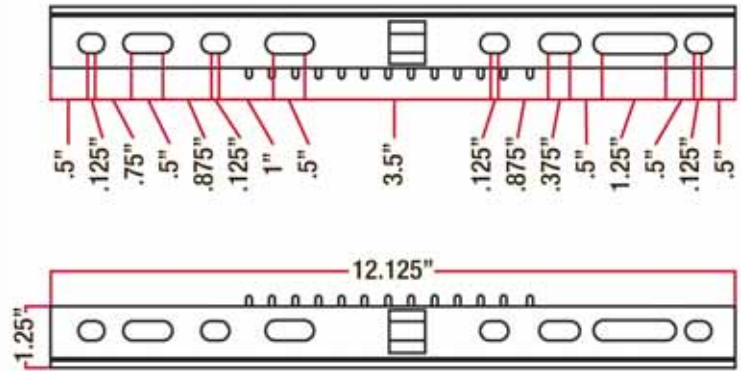


A = 18.25" **C = 19.5"**
B = 4" **D = 15.75"**



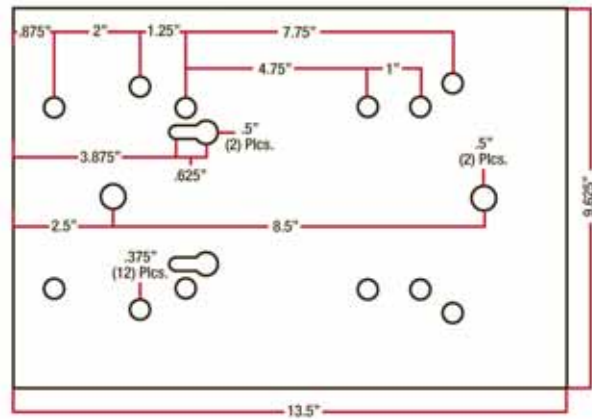
Bolt Pattern

ST13 - pgs. 4, 9, 15, 20, 25, 32, 36, 37, 40, 42



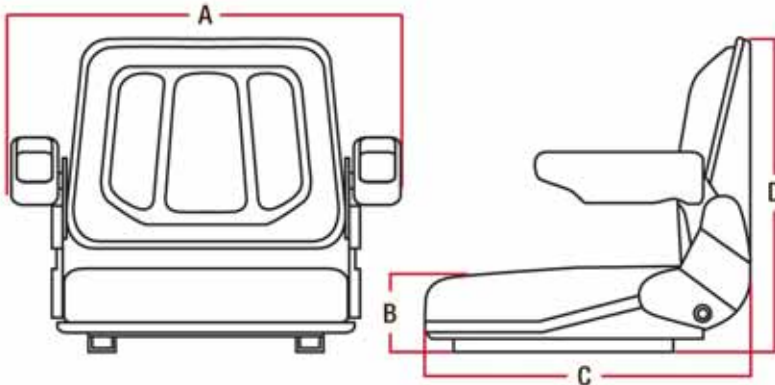
Bolt Pattern

ST14 - pg. 10, 15, 20, 25, 32, 36, 38, 40



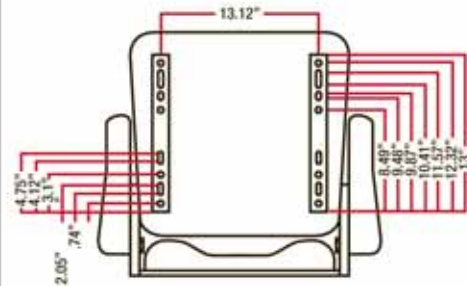
Bolt Pattern

ST15 - pgs. 11, 15, 21, 25, 32, 36, 43



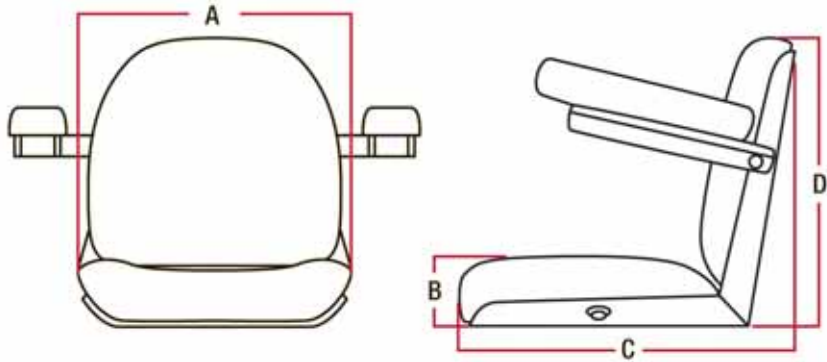
A = 22.75\"
B = 5\"

C = 20\"
D = 18.25\"

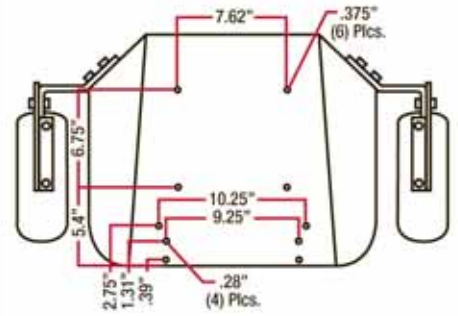


Bolt Pattern

ST16 - pg. 16

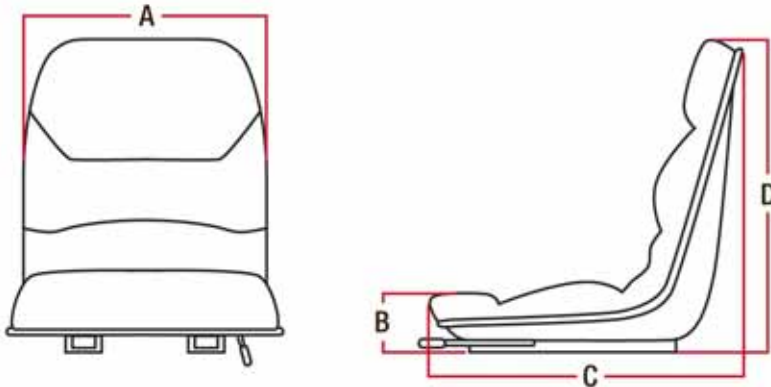


A = 21" **C = 16.5"**
B = 4" **D = 18"**

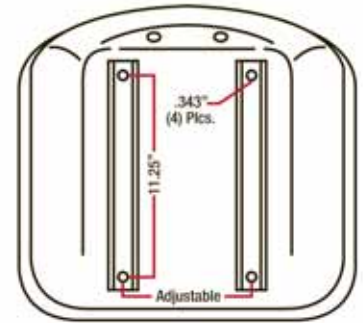


Bolt Pattern

ST17 - pgs. 4, 13, 15, 16, 18, 21, 22, 25, 26, 32, 36, 37, 38, 40, 43

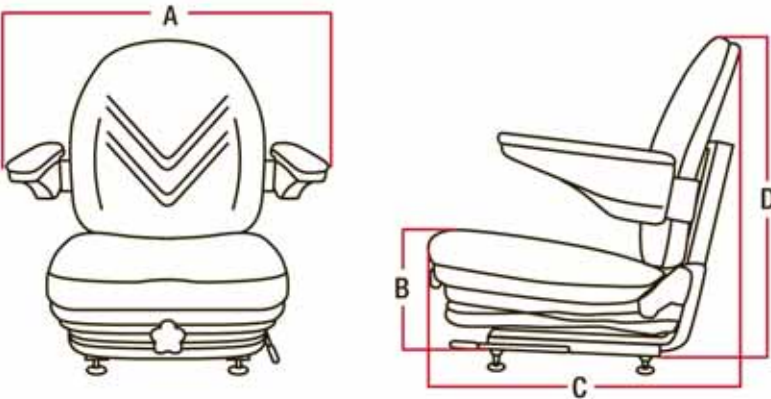


A = 17.5" **C = 21.5"**
B = 4.25" **D = 20.5"**

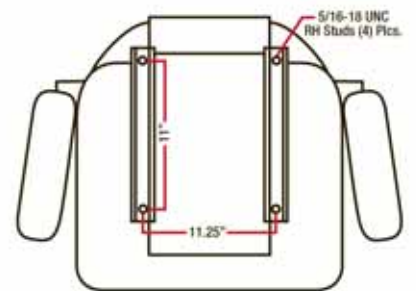


Bolt Pattern

ST18 - pgs. 12, 15, 21, 25, 32, 36, 39, 43

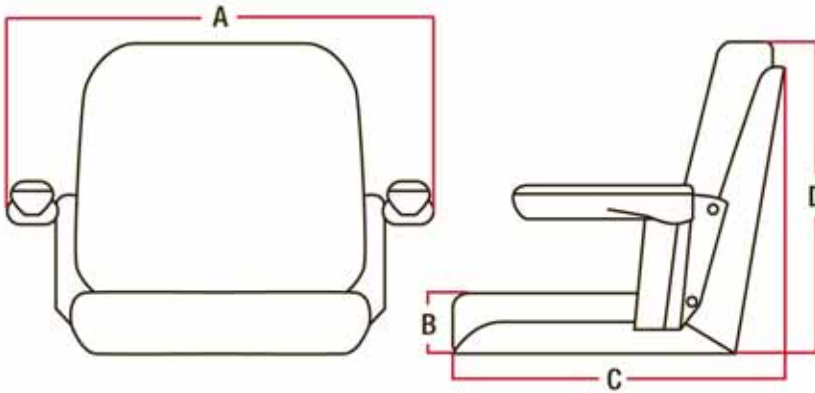


A = 23.625" **C = 23.5"**
B = 10.5" **D = 25.25"**

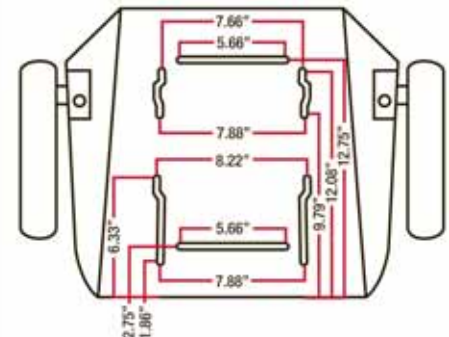


Bolt Pattern

ST19 - pgs. 11, 13, 15, 16, 18, 21, 25, 32, 34, 36, 38, 40, 43

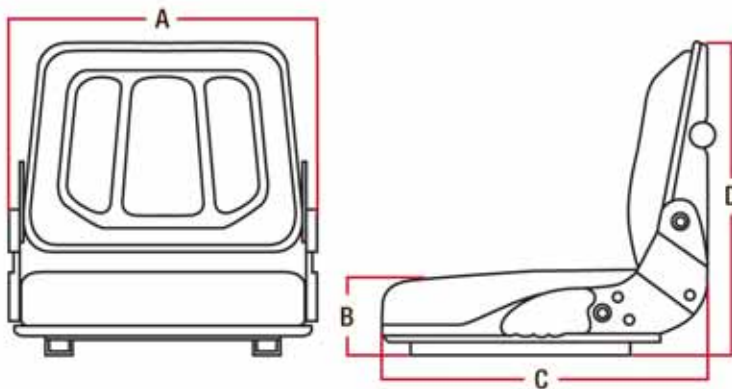


A = 24.625" **C = 15.75"**
B = 2.75" **D = 17.375"**

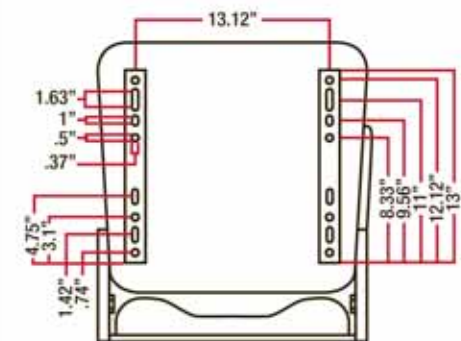


Bolt Pattern

ST20 - pgs. 12, 15, 21, 25, 32, 36, 39, 43

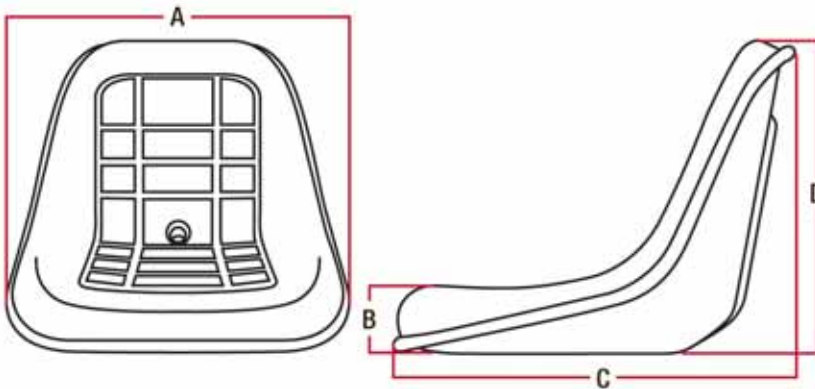


A = 17.75" **C = 15.5"**
B = 5" **D = 19"**

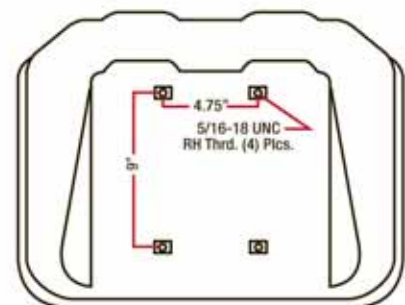


Bolt Pattern

ST21 - pg. 16

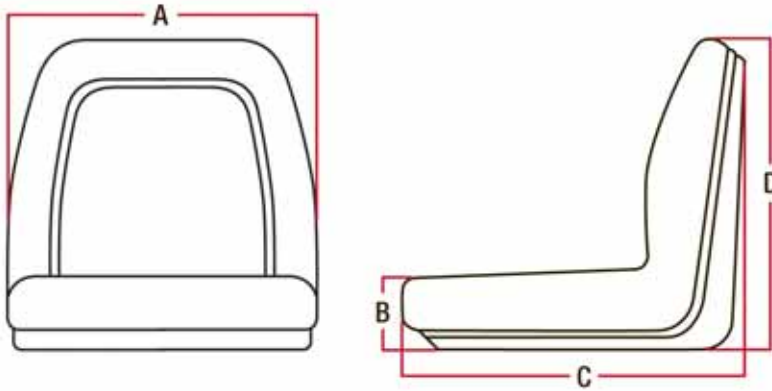


A = 18.5" **C = 17"**
B = 3" **D = 13.5"**

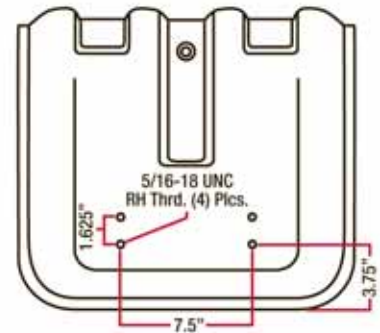


Bolt Pattern

ST22 - pgs. 4, 13, 14, 16, 20, 22, 24, 26, 27, 31, 34, 35, 38, 41, 42

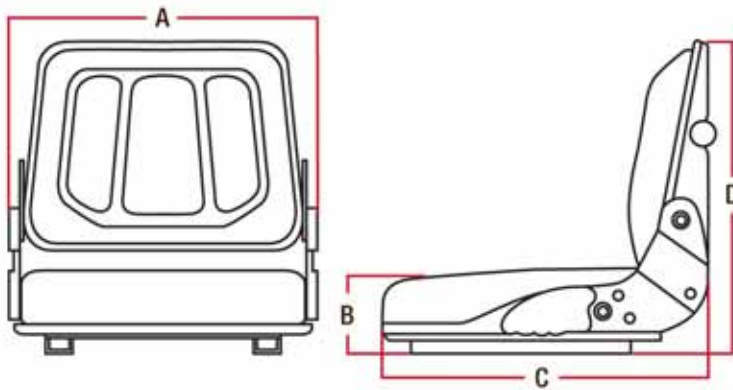


A = 16"
B = 3"
C = 20"
D = 13.5"

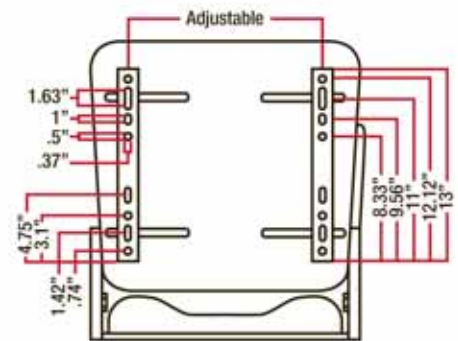


Bolt Pattern

ST23 - pgs. 12, 15, 21, 25, 32, 36, 39, 43

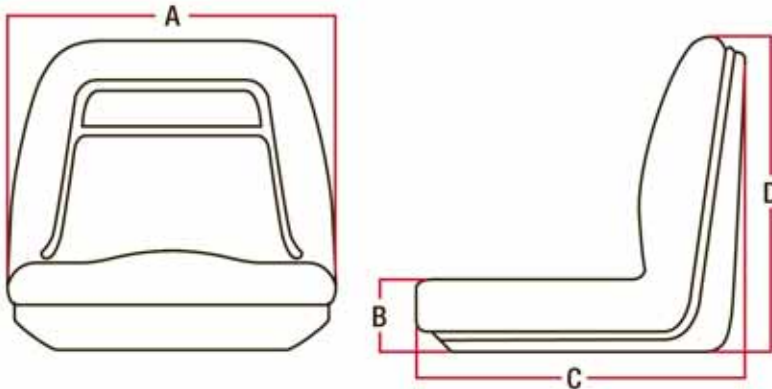


A = 17.75"
B = 5"
C = 15.5"
D = 18.75"

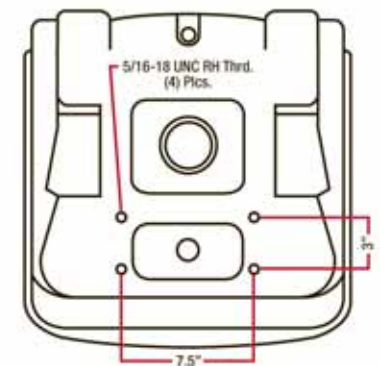


Bolt Pattern

ST24 - pg. 30

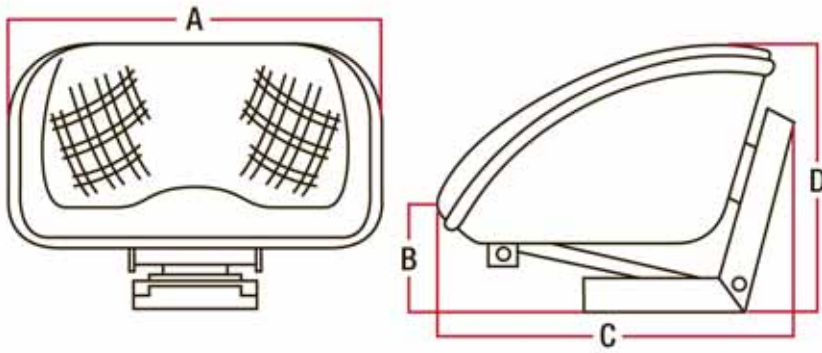


A = 17.5"
B = 3.75"
C = 20.5"
D = 18.5"

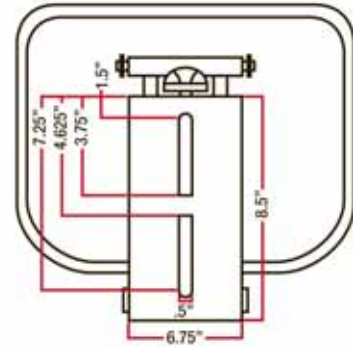


Bolt Pattern

ST25 - pgs. 12, 38

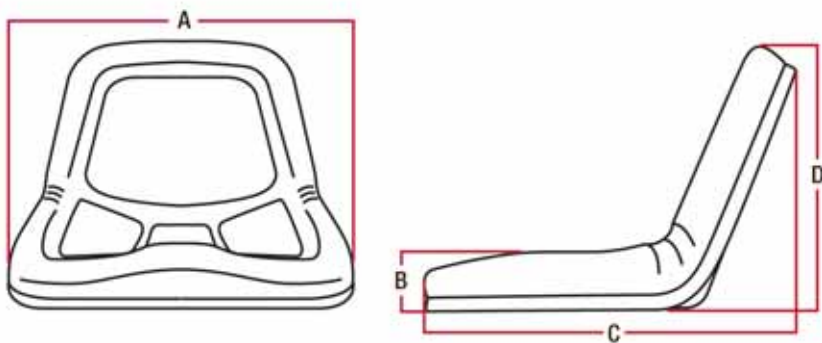


A = 21.25" **C = 20.25"**
B = 9.25" **D = 15.75"**

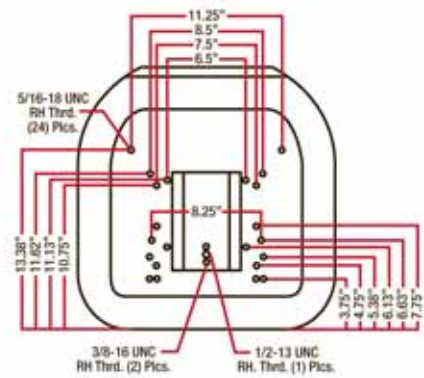


Bolt Pattern

ST26 - pgs. 4, 13, 15, 21, 23, 25, 26, 34, 36, 38, 41, 43

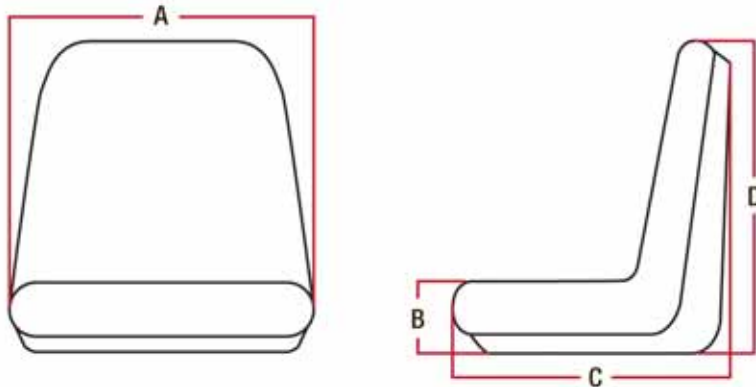


A = 19.5" **C = 20"**
B = 3.25" **D = 13.5"**

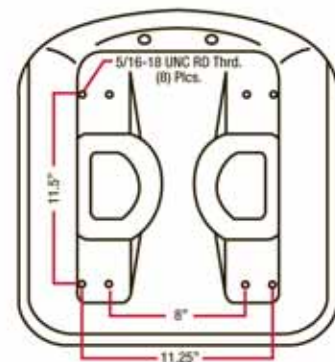


Bolt Pattern

ST27 - pgs. 4, 15, 18, 21, 25, 26, 32, 36, 38, 43

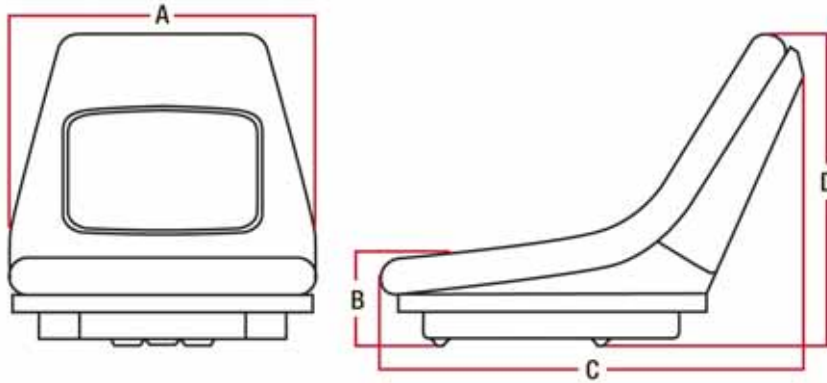


A = 19.375" **C = 23"**
B = 4.25" **D = 22"**

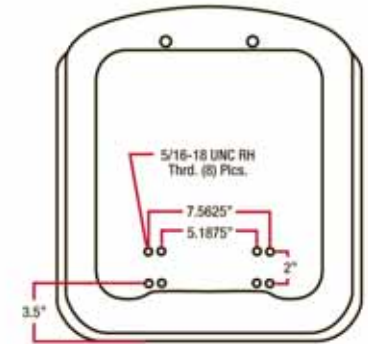


Bolt Pattern

ST28 - pg. 32

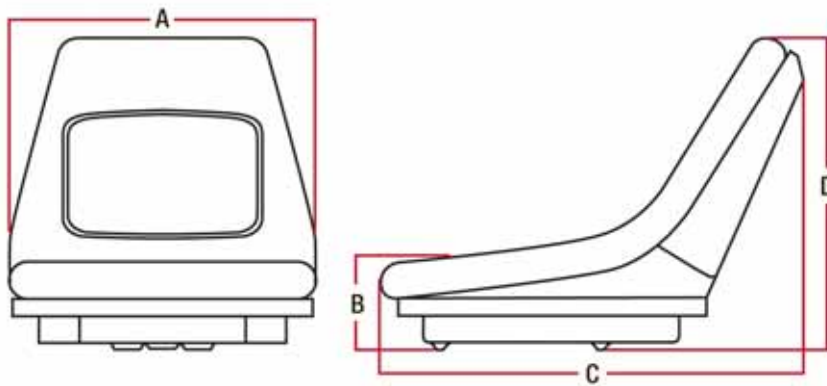


A = 17"
B = 4.5"
C = 23"
D = 18"

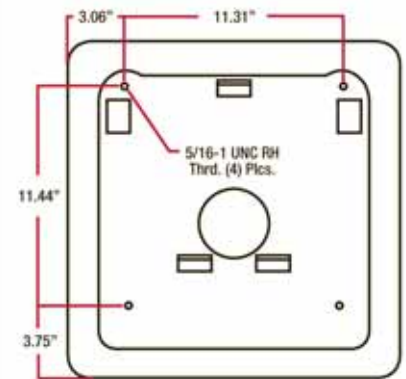


Bolt Pattern

ST29 - pg. 16

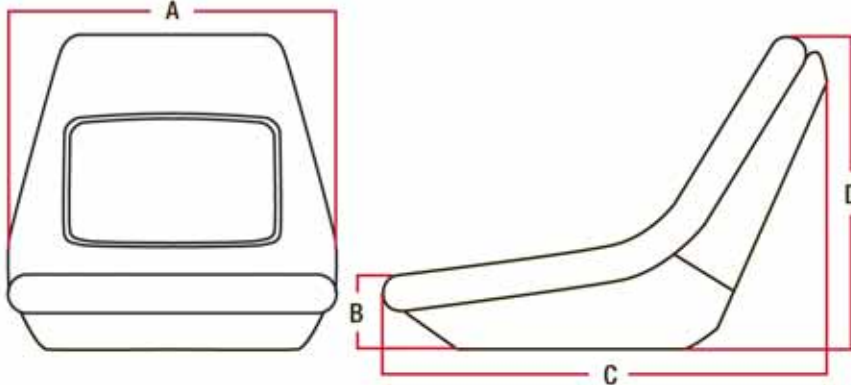


A = 17.5"
B = 5"
C = 23.5"
D = 17.5"

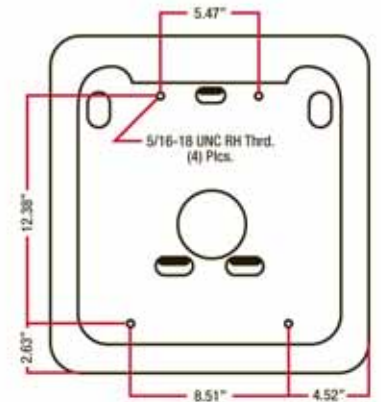


Bolt Pattern

ST31 - pg. 32

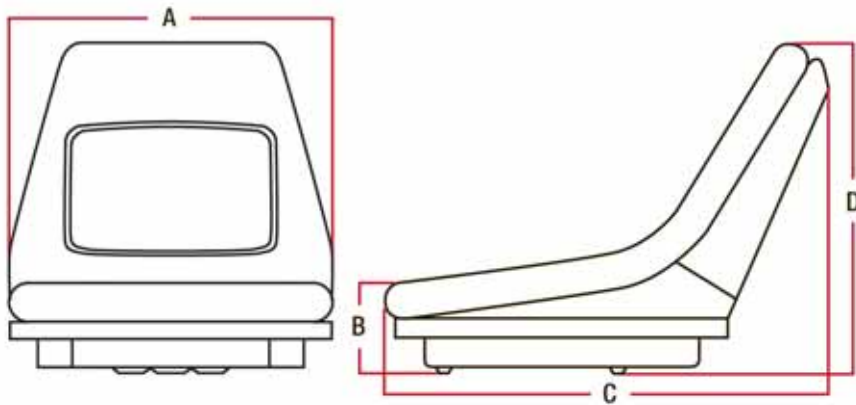


A = 17.5"
B = 5"
C = 23.5"
D = 17.5"

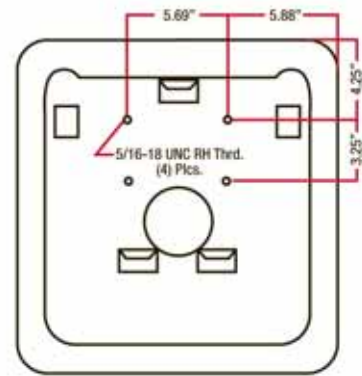


Bolt Pattern

ST32 - pg. 30

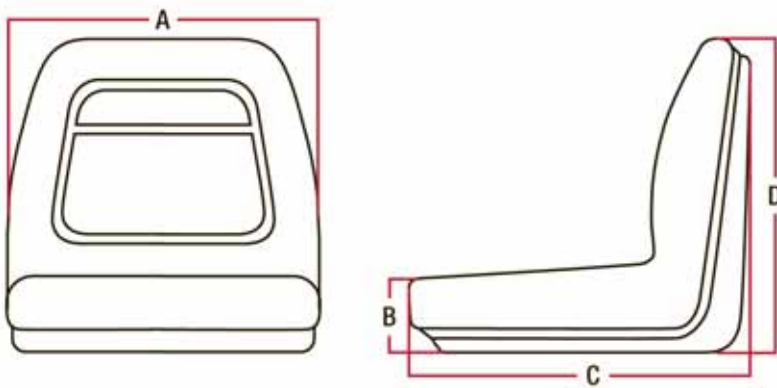


A = 17.5" **C = 23.5"**
B = 5" **D = 17.5"**

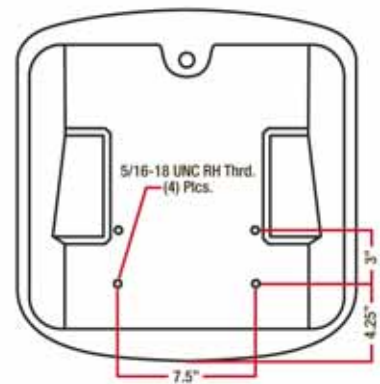


Bolt Pattern

ST33 - pg. 29

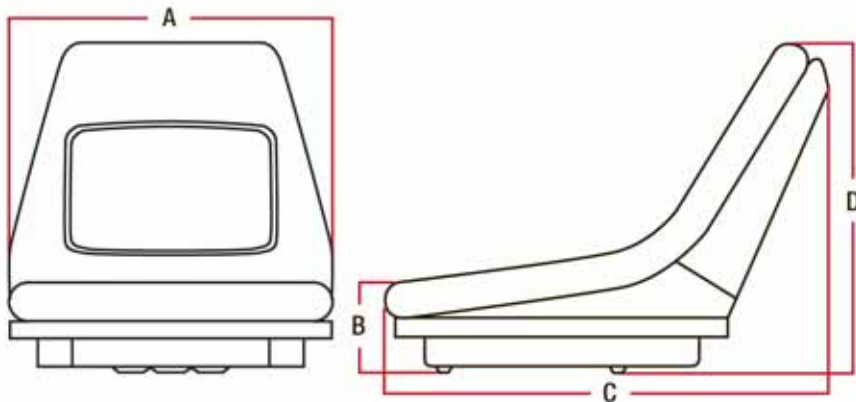


A = 18" **C = 19.5"**
B = 3" **D = 18"**

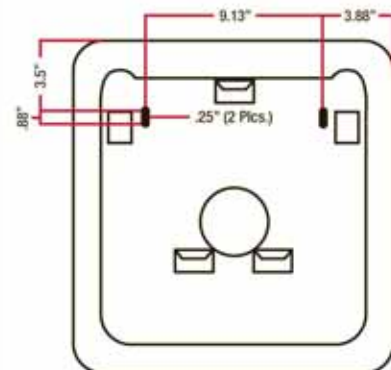


Bolt Pattern

ST34 - pg. 32

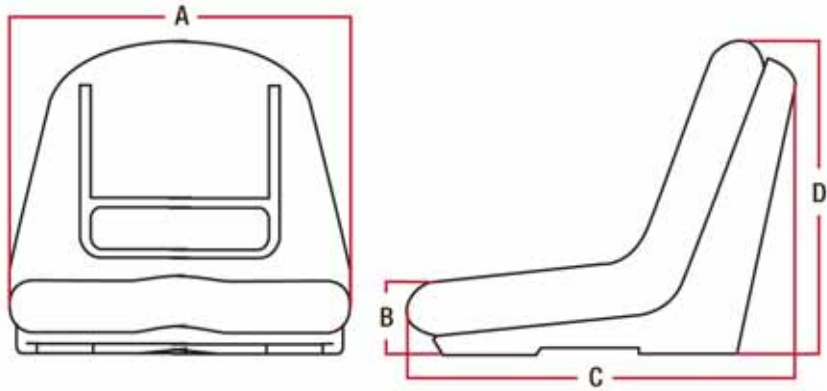


A = 17.5" **C = 23.5"**
B = 5" **D = 17.5"**

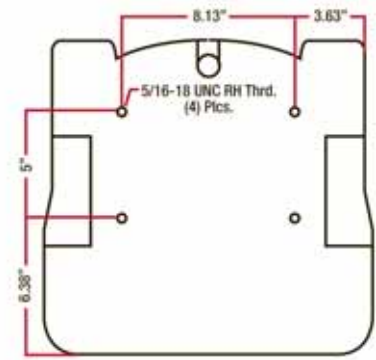


Bolt Pattern

ST35 - pg. 30

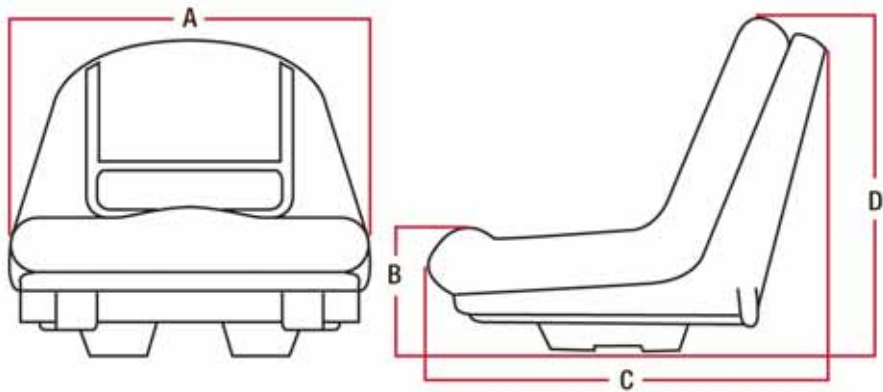


A = 18" **C = 19.25"**
B = 3" **D = 15"**

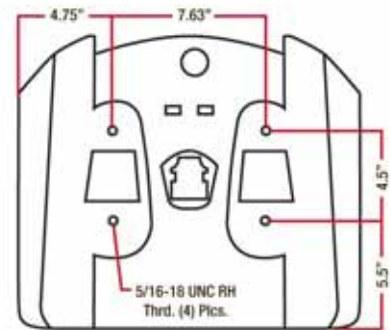


Bolt Pattern

ST36 - pg. 30

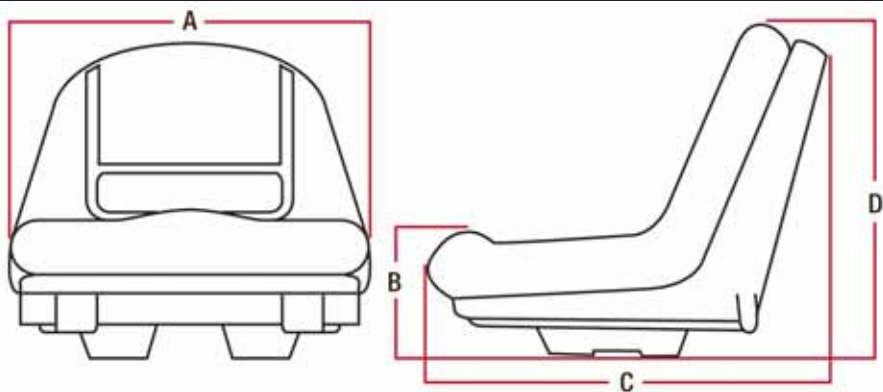


A = 17.75" **C = 21.25"**
B = 7.5" **D = 15.5"**

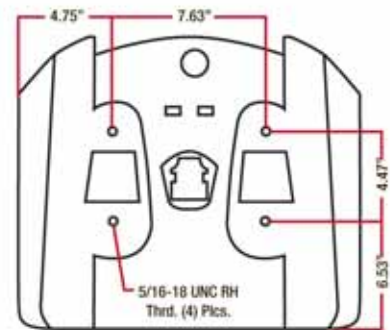


Bolt Pattern

ST37 - pg. 29

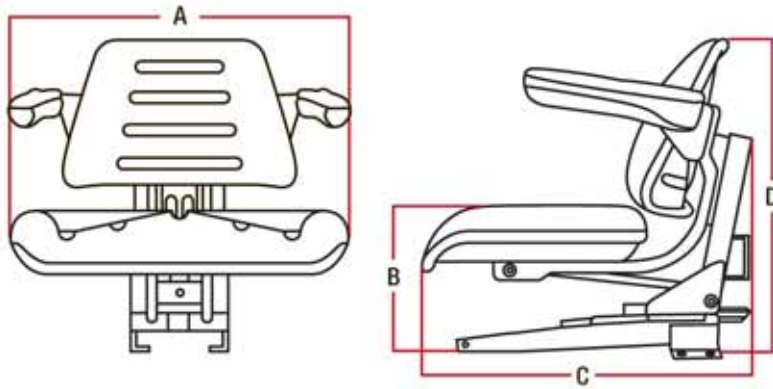


A = 17.75" **C = 21.5"**
B = 8" **D = 15.5"**

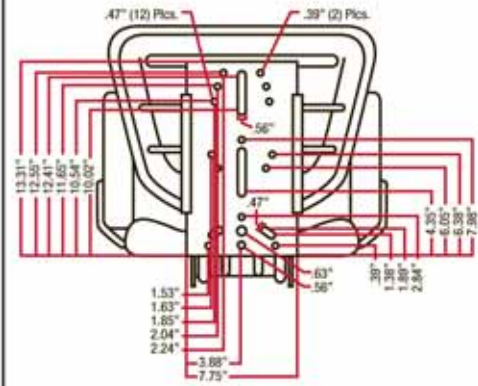


Bolt Pattern

ST39 - pg. 33

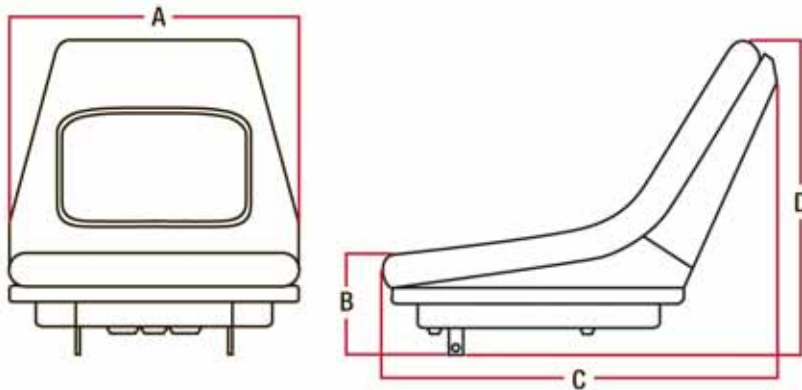


A = 20.5" **C = 20.5"**
B = 9.25" **D = 22"**

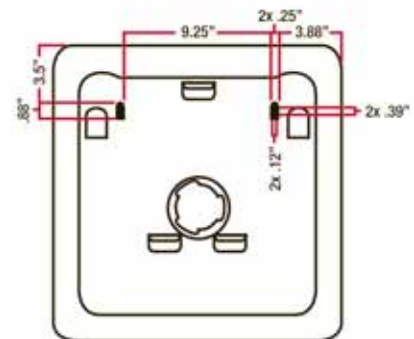


Bolt Pattern

ST40 - pg. 30

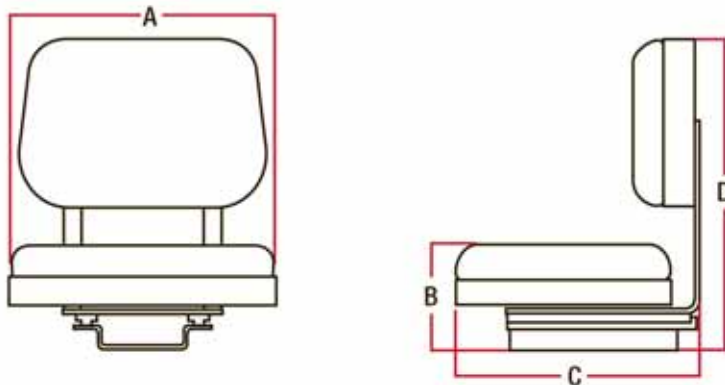


A = 17.5" **C = 23.5"**
B = 5" **D = 17.5"**

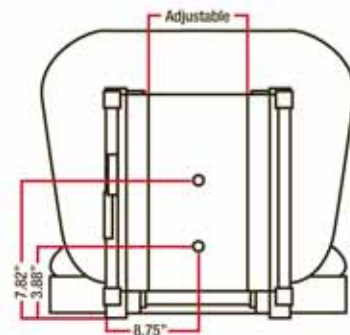


Bolt Pattern

ST41 - pg. 23

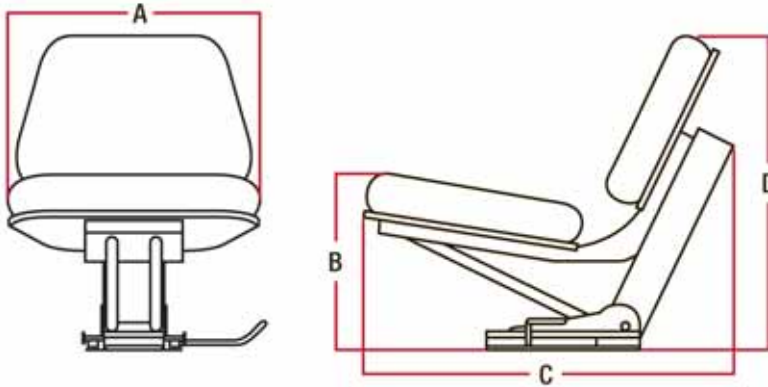


A = 18.5" **C = 17.02"**
B = 7.18" **D = 21.71"**

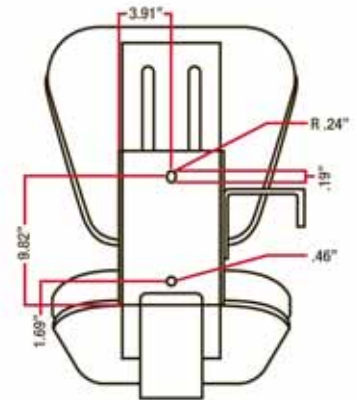


Bolt Pattern

ST42 - pg. 30

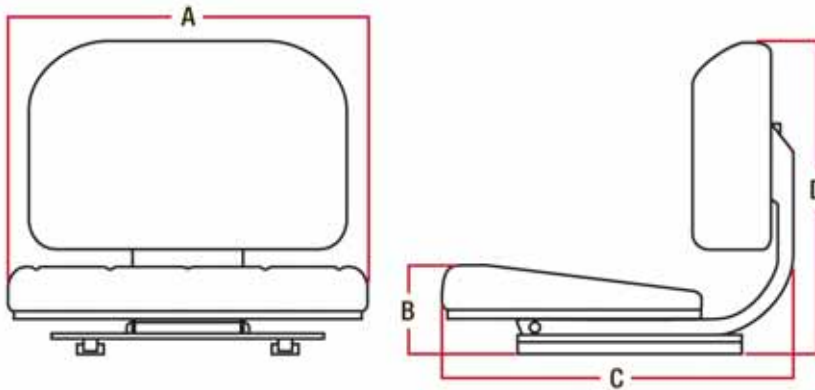


A = 19" **C = 26.5"**
B = Adjustable **D = 24.11"**

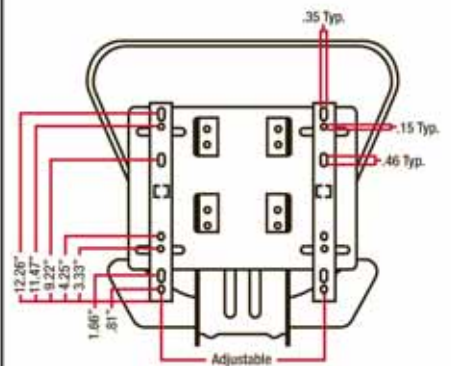


Bolt Pattern

ST43 - pgs. 5, 15, 21, 25, 30, 37, 43

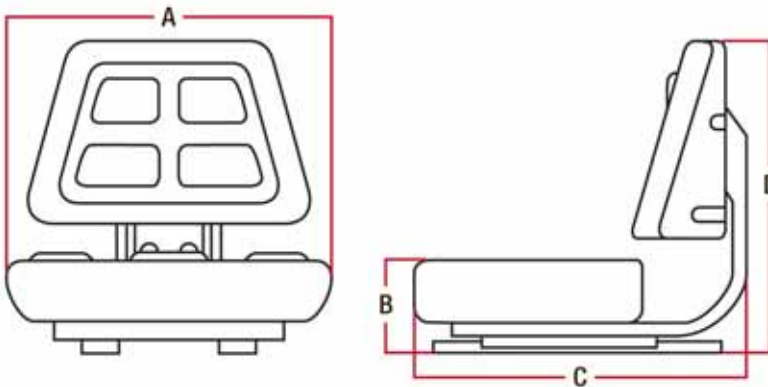


A = 20" **C = 20"**
B = 6.5" **D = 16.25"**

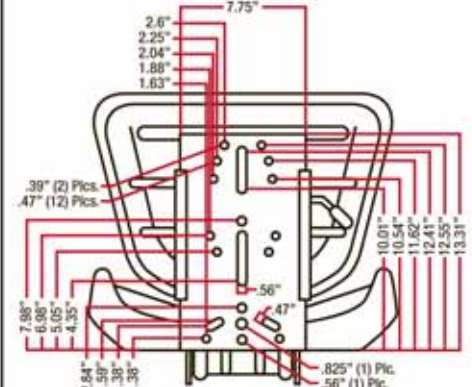


Bolt Pattern

ST44 - pgs. 14, 20, 24, 31, 35, 39, 42

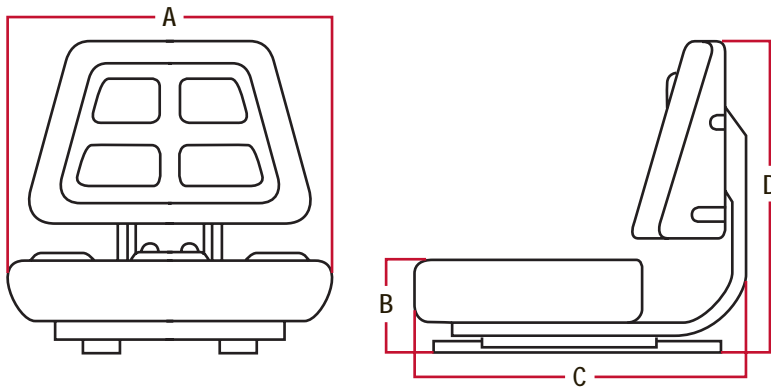


A = 20.25" **C = 20.25"**
B = 9" **D = 19.75"**

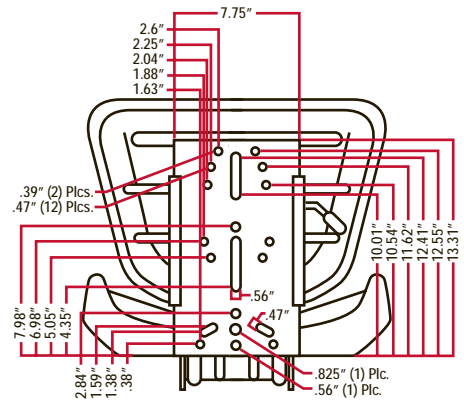


Bolt Pattern

ST45 - pg. 39

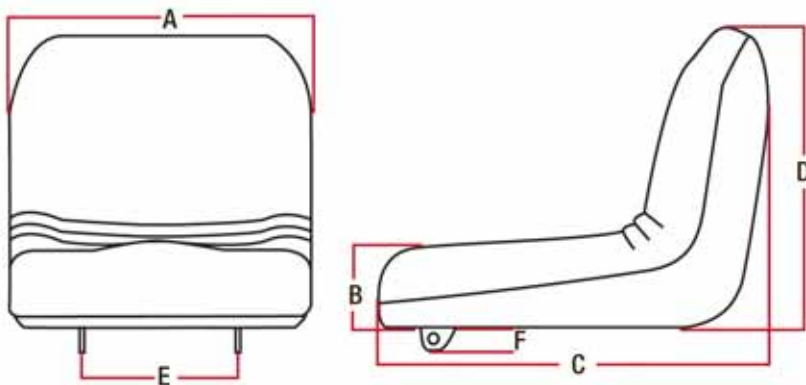


A = 20"
B = 12.5"
C = 19.5"
D = 19"



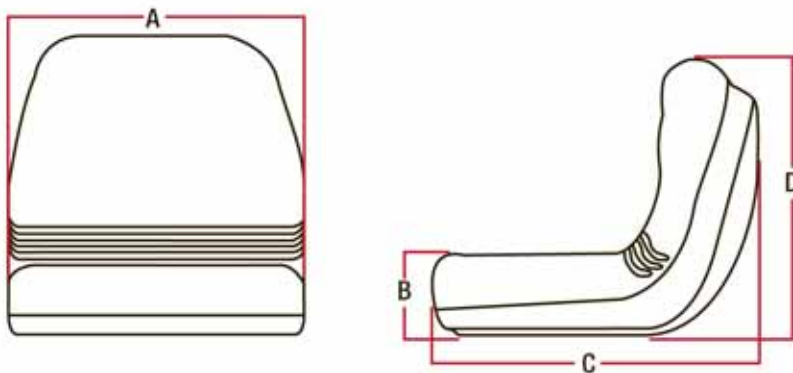
Bolt Pattern

ST49 - pg. 30

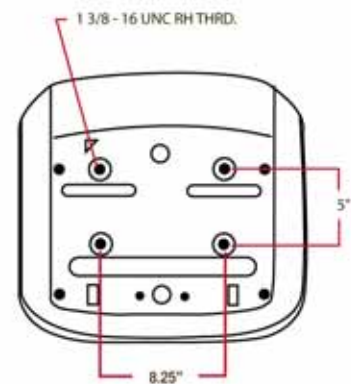


A = 19"
B = 5"
C = 20"
D = 13.5"
E = 9.0625"
F = 2.625"

ST50 - pg. 30

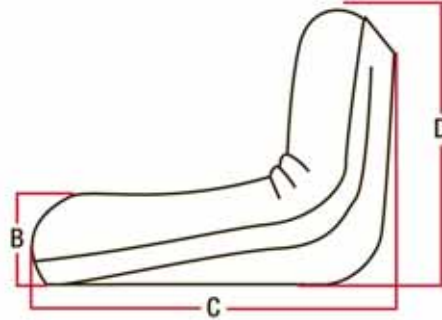
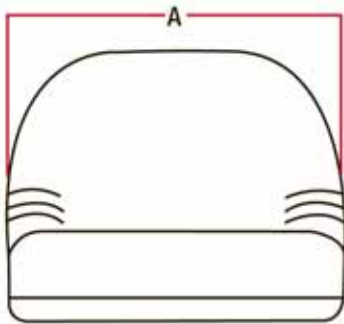


A = 18.5"
B = 4"
C = 19.5"
D = 14"



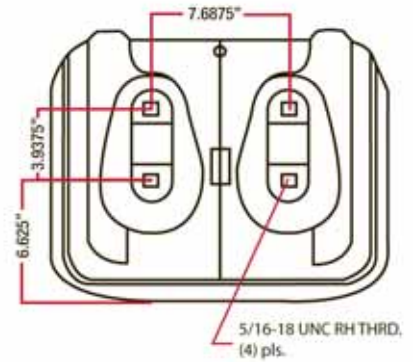
Bolt Pattern

ST51 - pg. 29



A = 16.5"
B = 4"

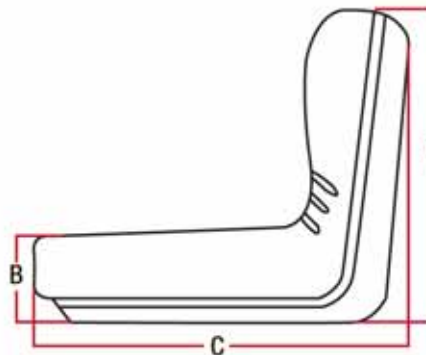
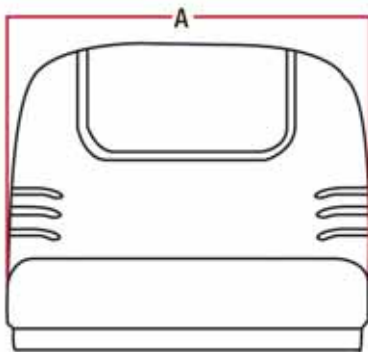
C = 18.25"
D = 10.75"



Bolt Pattern

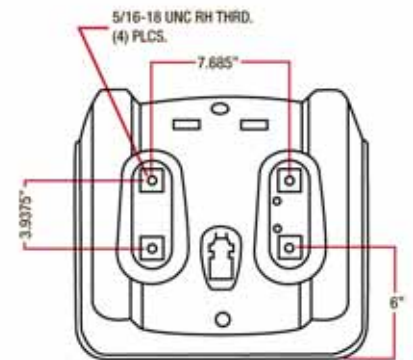
5/16-18 UNC RH THRD.
(4) pls.

ST52 - pg. 30



A = 16.5"
B = 5.5"

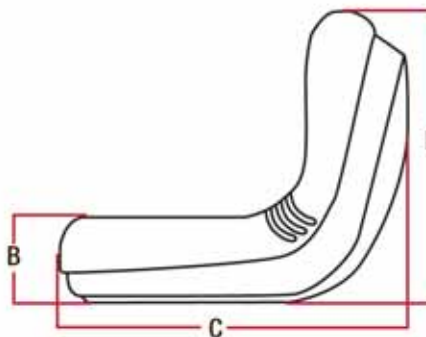
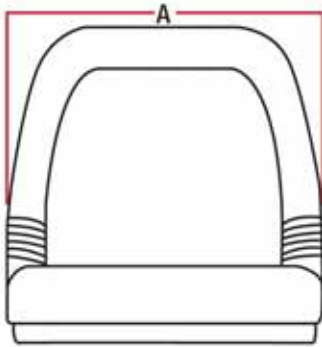
C = 16.25"
D = 13"



Bolt Pattern

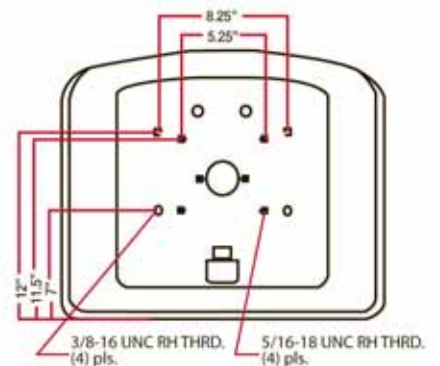
5/16-18 UNC RH THRD.
(4) PLCS.

ST53 - pg. 30



A = 19.625"
B = 5"

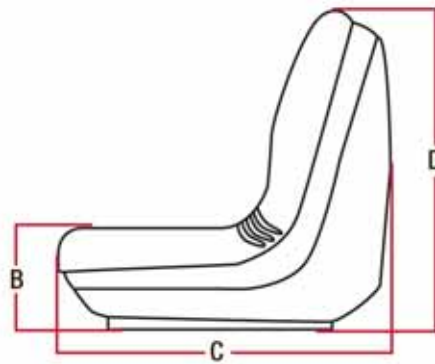
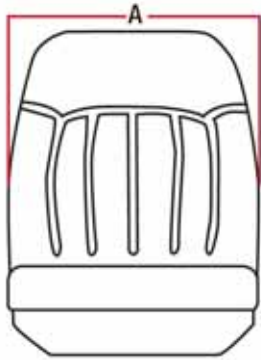
C = 19.5"
D = 13.875"



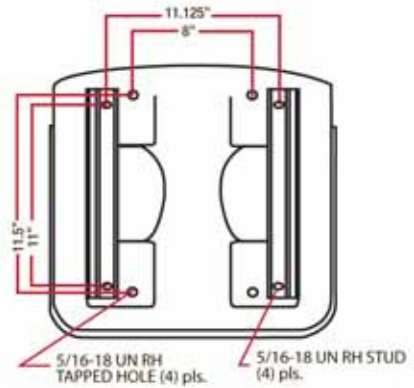
Bolt Pattern

3/8-16 UNC RH THRD. (4) pls. 5/16-18 UNC RH THRD. (4) pls.

ST55 - pg. 16

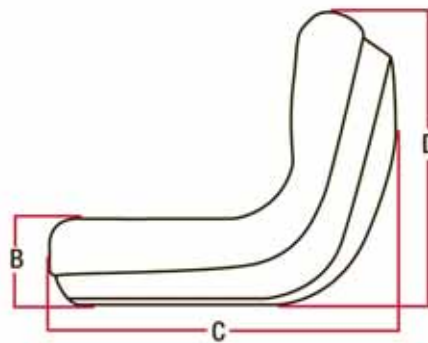
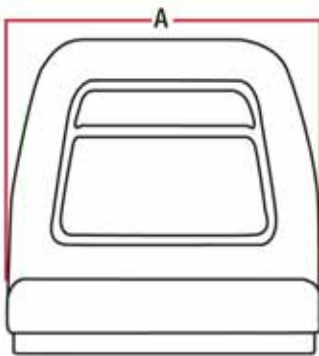


A = 18.75" **C = 22"**
B = 6.25" **D = 23"**

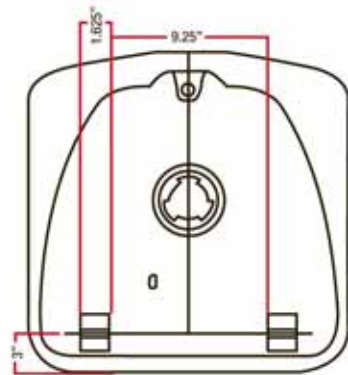


Bolt Pattern

ST59 - pg. 29

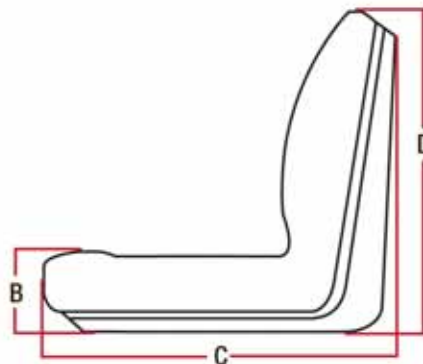
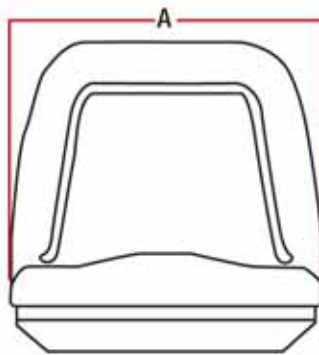


A = 18" **C = 21.25"**
B = 4.75" **D = 15.375"**

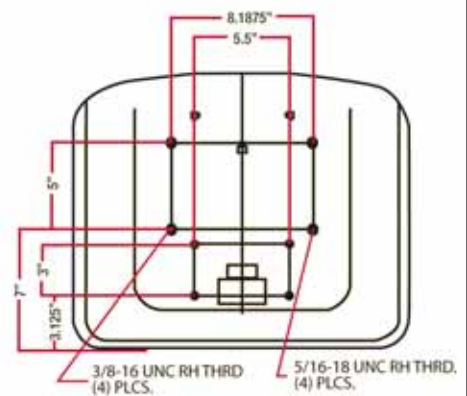


Bolt Pattern

ST60 - pg. 29

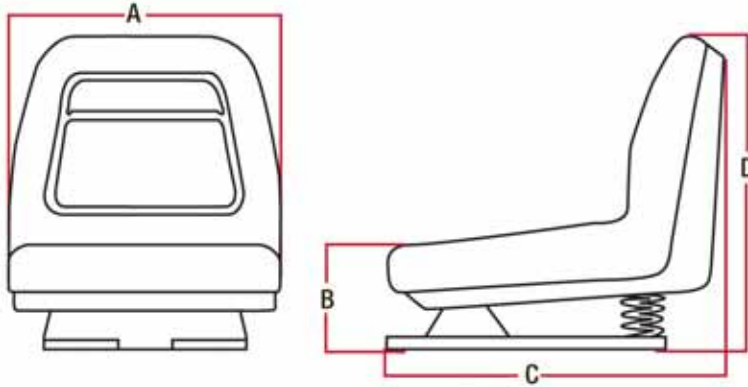


A = 19.5" **C = 20.25"**
B = 5.5" **D = 14"**

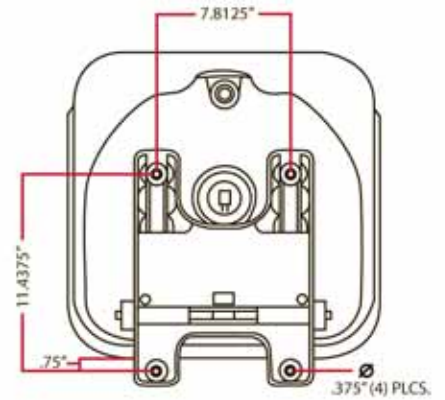


Bolt Pattern

ST62 - pg. 30

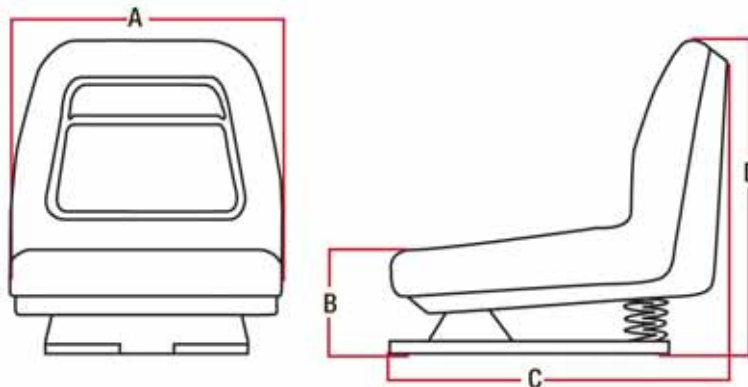


A = 18.25" **C = 20"**
B = 7.75" **D = 20.5"**



Bolt Pattern

ST65 - pg. 30

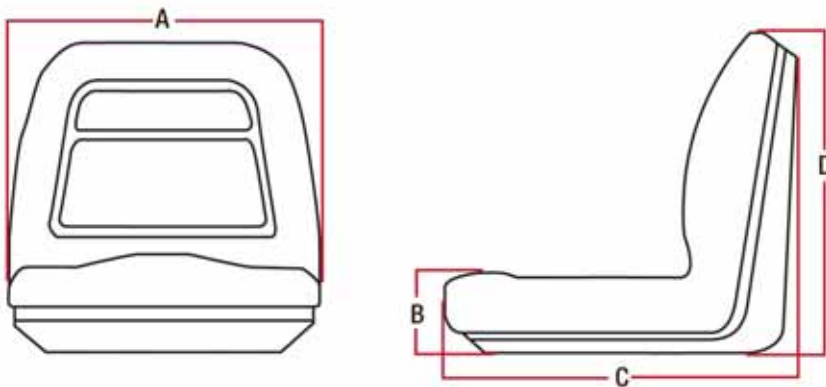


A = 18.25" **C = 20.5"**
B = 8.25" **D = 24"**

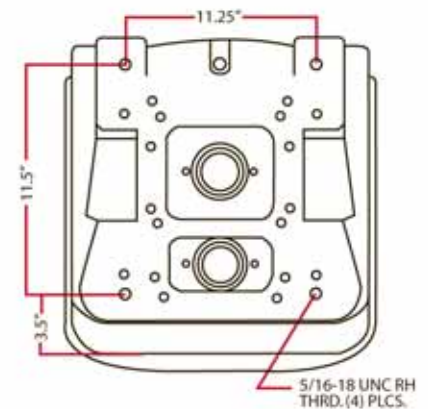


Bolt Pattern

ST67 - pg. 30

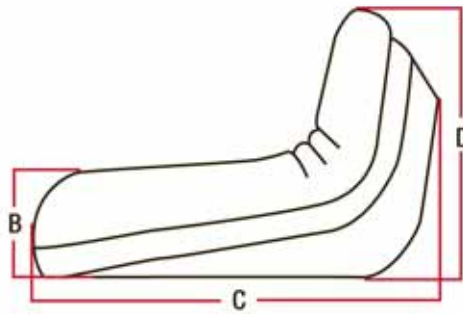
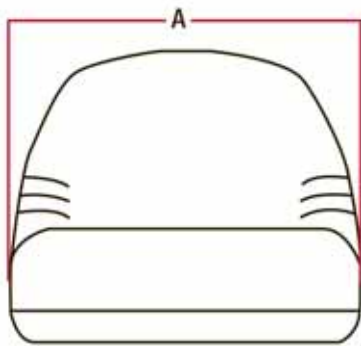


A = 18" **C = 21.25"**
B = 4.75" **D = 19.25"**

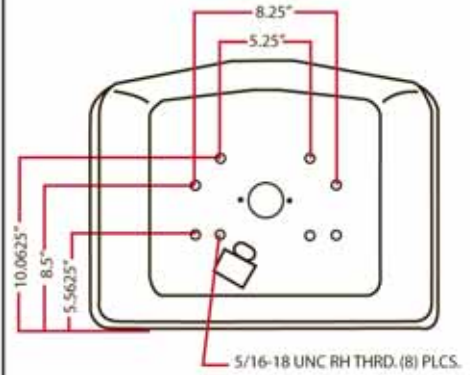


Bolt Pattern

ST70 - pg. 30

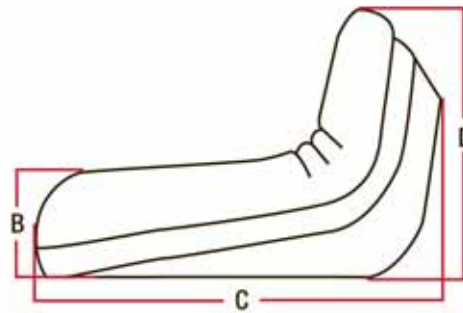
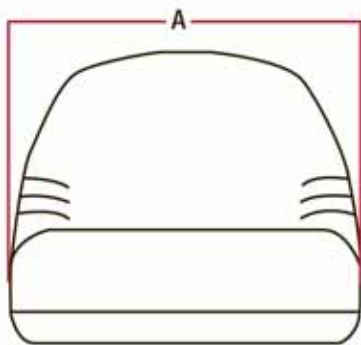


A = 18.25"
B = 4.25"
C = 15"
D = 8.25"

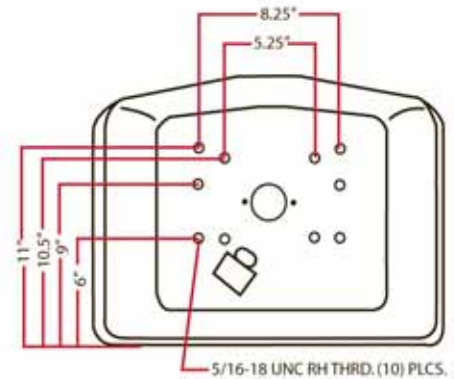


Bolt Pattern

ST71 - pg. 30

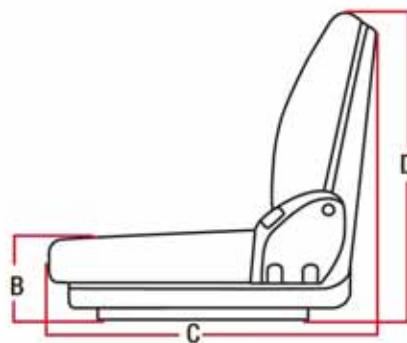


A = 18.25"
B = 4.25"
C = 15"
D = 8.25"

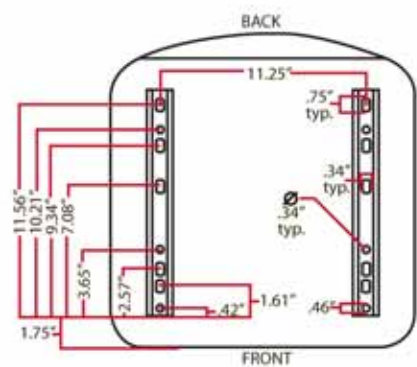


Bolt Pattern

ST76 - pg. 1

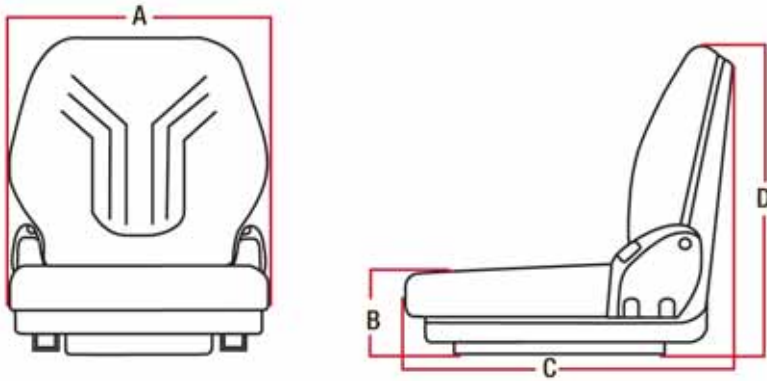


A = 18.625"
B = 5.35" - 6.14"
 (Range of Travel)
C = 24"
D = 22.5"

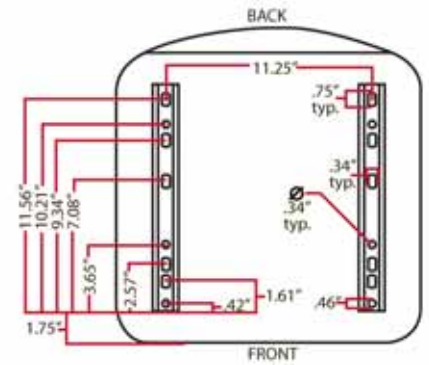


Bolt Pattern

ST77 - pg. 1

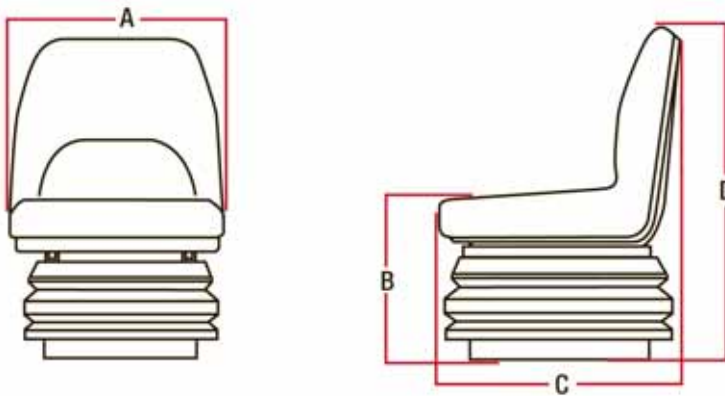


A = 18.625" **C = 24"**
B = 5.86" - 6.65" **D = 22.5"**
 (Range of Travel)

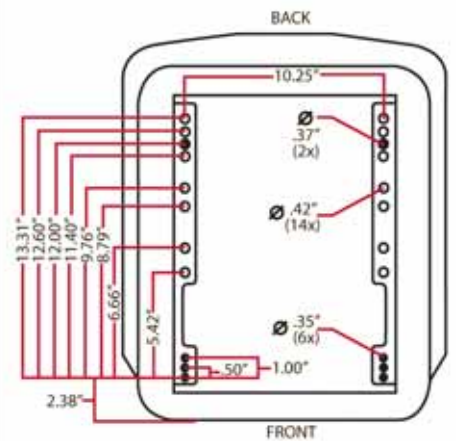


Bolt Pattern

ST78 - pg. 2

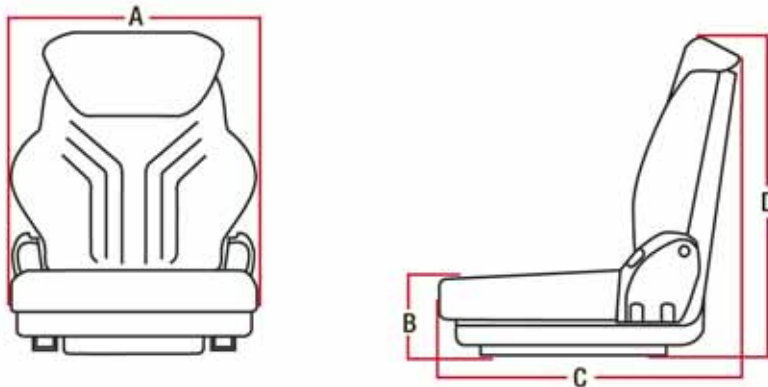


A = 18" **C = 22.125"**
B = 12.5" **D = 26.25"**

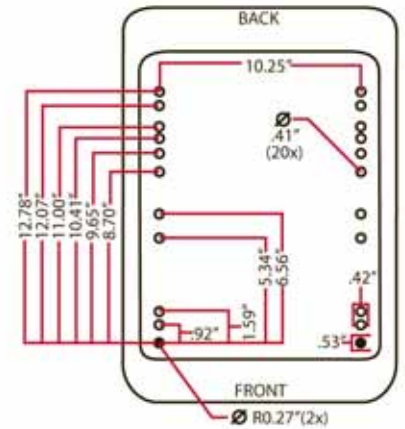


Bolt Pattern

ST79 - pgs. 3, 18

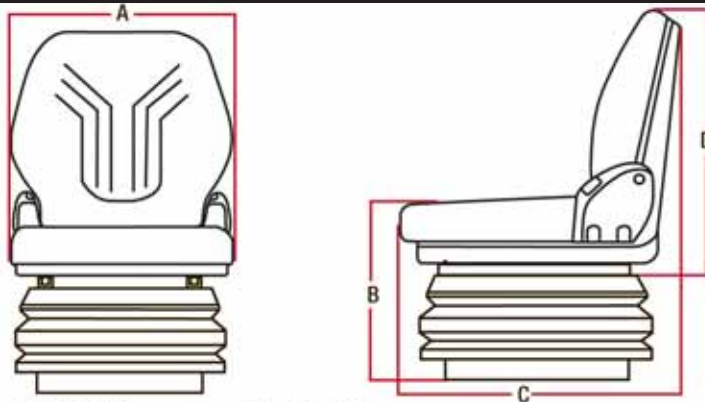


A = 19" **C = 25.5"**
B = 9.45" - 11.81" **D = 25.25"**
 (Range of Travel)

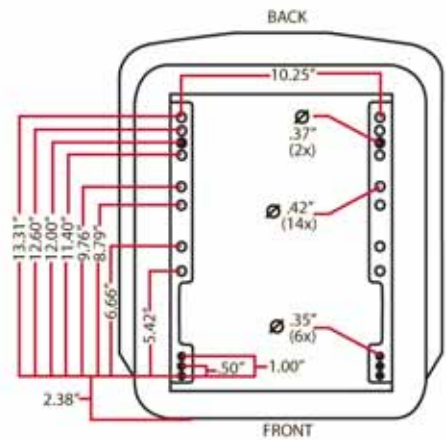


Bolt Pattern

ST80 - pg. 3

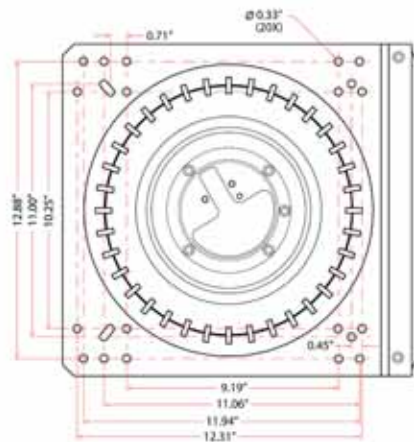


A = 18.625" **C = 24"**
B = 8.07" - 10.43" **D = 29.25"**
 (Range of Travel)



Bolt Pattern

ST81 - pg. 3



Bolt Pattern