

Ford/New Holland



**A-C3NN400E-14** Deluxe Seat Pad, BLU/WHT

~~For Ford / New Holland Models:~~ BUCKET FITS BUCKET  
STYLE SEATS

\*See pages 44-64 for reference pictures of seat dimensions and bolt patterns.



**A-251195DS-C14** Seat Cover, BLU/WHT

**A-251195DS-K14** Seat Cover Kit w/ Foam, BLU/WHT  
**For Ford / New Holland Models:** NAA, 2N, 600, 601, 700, 701, 8N, 800 STD, 801, 9N, 900, 901



**A-DDN406B-8** Seat Cushion, Canvas Bottom, BLU

**A-DDNA401-8** Back Cushion, BLU

**For Ford / New Holland Models:** MAJOR, 1600



**A-CS668-8V** Seat, 19" Pan, Steel, 7" x 2" Backs, BLU VINYL

*Note:* IDE Hole Spacing

**A-CSA698-8V** Seat Assy., Seat & Suspension, BLU

**A-CS668-1V** Seat, 19" Pan, Steel, 7" Spacing, BLK VINYL

**For Ford / New Holland Models:** 2000 LATE, 2100, 2150, 2300, 231, 2310, 234, 2600 ORCHARD 1981-83, 2810, 2910, 3000 LATE, 3055, 3100, 3300, 3310, 3330, 340A, 340B, 345D, 3500, 3600 ORCHARD '81-'83, 3610, 3910, 4000 LATE, 4100 81-'83, 4110, 4200, 4330, 4340, 4400 1965-1975, 4410, 445, 445A, 445C, 445D, 450, 4600 ORCHARD, 4600 81-'85, 4610, 5000 LATE, 5100, 515, 5200, 531, 532, 540A, 540B, 545A, 545C, 545D, 5600 81-'85, 5900, 6600, 6700 81-'85, 7000, 7100, 7200



\*Ref. ST22

**A-VLD1590** 16" Narrow Flip Style Dishpan w/ Brkts  
*Note:* Black seat w/ mounting brackets (universal brackets allow the seat pan to be fitted to most compact tractor models)

**For Ford / New Holland Models:** COMPACT 2, 3, & 4 CYL, 1200, 1300, 1500, 1510, 1600, 1700, 1710, 1900, 1910, 2000



**A-3536321M91-1** 16" Narrow Seat w/ Narrow Mechanical Suspension, BLK

**For Ford / New Holland Models:** TC18, TN65F, TN75F, TN90F



**A-CS113-8V** Custom Seat Assy. w/o Arms, BLU VINYL

**A-CSA400** Adaptor for Custom Seat Assy.

**For Ford / New Holland Models:** 1110, 1210, 1310, 1510, 1710, 1910, 2000 LATE, 2100, 2110, 2150, 2300, 231, 2310, 234, 2600 ORCHARD 1981-83, 2810, 2910, 3000 LATE, 3055, 3100, 3300, 3310, 3330, 340A, 340B, 345D, 3500, 3600 ORCHARD '81-'83, 3610, 3910, 4000 LATE, 4100 81-'83, 4200, 4330, 4340, 4400 1965-75, 4410, 445, 445A, 445C, 450, 455D, 4600 ORCHARD, 4600 81-'85, 4610, 5000 LATE, 5100, 515, 5200, 531, 532, 540A, 540B, 545A, 545C, 545D, 5600 81-'85, 5900, 6600, 6700 81-'85, 7000, 7100, 7200



**A-CSA888-5** Seat Assembly, WHT/BLK

**A-CSA887-8** Seat Assembly, BLU

**For Ford / New Holland Models:** NAA, 2N, 600, 601, 700, 701, 8N, 800 STD, 801, 9N, 900, 901



**A-C5NNN458B-6** Seat Cushion, Bolted Wood Base, YLW VINYL

*Note:* The seat bottom is also used as a seat back, 2 used on a complete seat.

**A-C5NNN458B-1** Seat Cushion, Bolted Wood Base, BLK VINYL

**For Ford / New Holland Models:** (3400, 3500, 4030, 4040, 4110 ALL Industrial), 4400 1965-75, 4500



**A-C8NNA402A-8** Seat Cushion, Wood Base, BLU VINYL

**For Ford / New Holland Models:** 2600, 3230, 3430, 3600, 3930, 4100 DSL, 4600 GAS, 4600 SU, 4630, 4830, 7600 Row Crop dsl, (8000, 8200, 8400, 8600, 8700, 9000, 9600, 9700 ALL w/ Bostrom Seat)



**A-D9NNA402BA-8** Seat, Wood Base, BLU VINYL  
*Note:* Both vinyl and fabric covering is available.

**A-D9NNB416BA-8** Back Cushion, Wood Base, BLU VINYL

**A-D6NNB410A-8** Armrest, Wood Base, BLU VINYL

**A-D9NNA402DA-8** Seat, Wood Base, BLU FABRIC

**A-D9NNB416CA-8** Back Cushion, Wood Base, BLU FABRIC

**A-D6NNB410A-F8** Armrest, Wood Base, BLU FABRIC

**For Ford / New Holland Models:** TW10, TW15, TW20, TW25, TW30, (TW35, TW5 ALL 1983-89), 455, 550, 5700 1975-80, 6700 4 cyl 1995-80, 6710, 7530, 7700 4 cyl 1995-80, 7710, 7810 1985-89, 7910, 8210, 8530, 8630, 8700, 8730, 9700



**A-CS128-1V** High Back Dishpan, BLK  
*Note:* Universal bolt on seat. Has a hole for safety switch.

**A-AR128-1V** Armrest Assembly For Seat Above

**A-ST100** Slide Track Set

**For Ford / New Holland Models:** 455, 550, 555, 555A, 555B, 655, 655A



**A-D8NN400EA-1** Bostrom Viking T-Bar Assy. w/ Suspension w/o Armrests  
*Note:* Bolt pattern for seat assy # D8NN400EA-1 is 13.25" side to side and 11" front to back.

**A-D8NN400EA-A1** Bostrom Viking T-Bar Assy., w/ Suspension, w/ Armrests

**A-D8NNA402BA-1** Seat Cushion, Steel (New)

**A-D8NNB416BA-1** Seat Back, Steel (New)

**A-ARC138-R** Left Armrest Cushion, BLK

**A-ARC139-R** Right Armrest Cushion, BLK

**For Ford / New Holland Models:** TW15, TW5 1993-89, 455C, 550, 555, 555A, 555B, 655A

\*See pages 44-64 for reference pictures of seat dimensions and bolt patterns.



**A-C5NNA402KK-6** Seat Cushion, Hinged Wood Base, YLW VINYL

*Note:* Hinged or bolted style.

**A-C5NNA401A-6** Standard Lower Back Cushion, Wood Base, 25" L, YLW VINYL

**A-C5NNA401H-6** Lower Back Cushion, Wood Base, 34.5" L, YLW VINYL

**A-C5NNN456DK-6** Upper Back Cushion, Wood Base, YLW VINYL

**A-C5NNA402KK-1** Seat Cushion, Hinged Wood Base, BLK VINYL

**A-C5NNA401H-1** Long Lower Back Cushion, Wood Base, BLK VINYL

**A-C5NNA401A-1** Standard Lower Back Cushion, Wood Base, BLK VINYL

**A-C5NNN456DK-1** Upper Back Cushion, Wood Base, BLK VINYL

**For Ford / New Holland Models:** 250C, 260C, 340A, 340B, 3400 UTIL, 345C, 345D, 3500 IND, 445A, 445C, 445D, 540A, 540B, 545A, 545C, 545D



\*Ref. ST26

**A-CS126-1V** Flip Style Dishpan w/ Brackets, 19.750"

*Note:* The mounting pattern for each brand is indicated with a (letter) in the applications information, (A) = center mtg bolt, (B) = 8" X 11.5", (C)

**A-VLD1628** Seat Bracket (1-LH & 1-RH)

*Note:* Used w/ VLD1590 Seat For Compact Tractors.

**A-CS126BRKT** Bracket Hardware, For CS126-1V Seat

**For Ford / New Holland Models:** 20 SERIES NO CABS, 2120 4 CYL



**A-C5NN400AE** Steel Pan Seat, Flip Back Style



**A-NCA404B** Seat Spring, For Flip Back Seat



**A-352664S36** Seat Hinge Pin



**A-86531095** Seat Hinge

**For Ford / New Holland Models:** NAA, 2000, 4000, 600, 8N, 800, 900



**A-8N400** Steel Pan Seat, Non Flip Back



**A-NCA404B** Seat Spring, For Flip Back Seat



**A-9N404** Seat Spring, Non Flip Back Seat



**A-352664S36** Seat Hinge Pin



**A-86531095** Seat Hinge

**For Ford / New Holland Models:** NAA, 2N, 8N, 9N, 600, 800, 2000



\*Ref. ST41

**A-D8NN400SB99L** Seat Assembly

**For Ford / New Holland Models:** 250C, 260C, 340, 340A, 340B, 345C, 345D, 445, 445A, 445C, 445D, 450, 540, 540A, 540B, 545, 545A, 545C, 545D



**A-FD56N** Steel Seat, BLU VINYL

**A-FD56ARN** Steel Armrest, BLU VINYL

**A-FD56BN** Steel Back, BLU VINYL

**For Ford / New Holland Models:** 455, 550, 555, 555A, 555B, 5700, 655, 655A, 6700, 6710, 7700, 7710, 7810, 7910, 8000, 8210, 8530, 8630, 8700, 8730, 8830, 9000, 9700, TW15, TW20, TW25, TW30, TW35, TW5



**A-FD9** Steel Seat, BLU VINYL

**For Ford / New Holland Models:** 1110, 1210, 1310, 1510, 1710, 1910, 2000, 2310, 2600, 2610, 2810, 2910, 3000, 3300, 3310, 333, 3330, 3550, 3600, 3610, 3900, 4000, 4100, 4110, 4140, 420, 4200, 4330, 4340, 4410, 4500, 4600, 4610, 5000, 5100, 5200, 531, 532, 5340, 535, 550, 555, 5600, 5700, 5900, 6600, 6700, 7000, 7100, 7200, 7600, 7700



\*Ref. ST10

**A-W223BU** Wrap Around Back w/ Arms, Plastic, BLU  
*Note:* Adjustable Five Angle Base, Slide Track, and Mounting Brackets; Backrest and Seat Bottom Moulded of Durable Plastic Composite with Padded In-Lays for Comfort; Sturdy Metal Frame and Full Suspension

**A-W223BL** Wrap Around Back w/ Arms, Plastic, BLK

**A-W223YL** Wrap Around Back w/ Arms, Plastic, YLW

**For Ford / New Holland Models:**



**A-86605775** Seat w/ Trapezoid Back, BLU  
*Replaces:* E9NN400AB99M, E9NN400AA

**For Ford / New Holland Models:** (250C, 260C ALL L/Cab 8/1992>), (3230, 3430 ALL L/Cab), (345C, 345D ALL L/Cab 8/1992>), (3930, 3930N, 3930NO, 4130, 4130N, 4130NO ALL L/Cab), (445C, 445D ALL L/Cab 8/1992>), (4630, 4630N, 4630NO, 46300, 4830, 4830N, 48300, 5030, 50300 ALL L/Cab), (545C, 545D ALL L/Cab 8/1992>)



**A-TKBU** Cushion Kit, BLU

*Note:* Includes trapezoid backrest & seat bottom. Fits Series T110, T222 & T300.

**A-TKBL** Cushion Kit, BLK

**A-TKYL** Cushion Kit, YLW

**For Ford / New Holland Models:** (250C, 260C ALL 8/1992>), (3230, 3430 ALL L/Cab), (345C, 345D ALL 8/1992>), (3930, 3930N, 3930NO, 4130, 4130N, 4130NO ALL L/Cab), (445C, 445D ALL 8/1992>), (4630, 4630N, 4630NO, 46300, 4830, 4830N, 48300, 5030, 50300 ALL L/Cab), (545C, 545D ALL 8/1992>), (5640, 6640, 66400, 7740, 77400 ALL L/Cab)



\*Ref. ST08

**A-T110BL** Seat, Universal w/ Trapezoid Back, BLK  
*Note:* Slide Track and Mounting Brackets; Backrest and Seat Bottom Moulded of Durable Plastic Composite with Padded In-Lays for Comfort; Sturdy Metal Frame

**A-T110YL** Seat, Universal w/ Trapezoid Back, YLW

**A-AR22BL** Armrest Assembly, RH/LH & Bracket, BLK

**For Ford / New Holland Models:**

\*See pages 44-64 for reference pictures of seat dimensions and bolt patterns.



\*Ref. ST04

- A-T222BU** Seat w/ Trapezoid Backrest, BLU
- A-T222BL** Seat w/ Trapezoid Backrest, BLK
- A-T222YL** Seat w/ Trapezoid Backrest, YLW
- A-AR22BL** Armrest Assembly LH, RH & Bracket BLK  
*Note:* For T100BL, T200BL, T222BL & T300BL Series Seats

**For Ford / New Holland Models:** FITS SEVERAL MODELS



\*Ref. ST02

- A-W222BU** Wrap Around Back w/ Arms, BLU  
*Note:* Blue seat w/ full suspension, adjustable 5 angle base, slide track & mounting brackets.
- A-W222BL** Wrap Around Back w/ Arms, BLK
- A-W222YL** Wrap Around Back w/ Arms, YLW

**For Ford / New Holland Models:** FITS SEVERAL MODELS



\*Ref. ST09

- A-TM333GR** Michigan Style Seat, w/o Slide Track, GRY
- A-TM333BL** Michigan Style Seat, w/o Slide Track, BLK
- A-TM333YL** Michigan Style Seat, w/o Slide Track, YLW

**For Ford / New Holland Models:**



\*Ref. ST03

- A-TF222BU** Flip-Up Seat, Trapezoid Back, BLU  
*Note:* Flip-up seat w/ full suspension, adjustable five angle base, slide track & mounting brackets.
- A-TF222BL** Flip-Up Seat, Trapezoid Back, BLK
- A-TF222YL** Flip-Up Seat, Trapezoid Back, YLW
- A-AR22BL** Armrest Assembly, RH/LH & Bracket, BLK

**For Ford / New Holland Models:** FITS SEVERAL MODELS



\*Ref. ST44

- A-W300BU** Wrap Around Back w/ Arms, BLU  
*Note:* Flat horizontal slide track base, w/ 2.375" vertical and 5.875" horizontal travel adjustment.
- A-W300BL** Wrap Around Back w/ Arms, BLK

**For Ford / New Holland Models:**



\*Ref. ST01

- A-WF222BU** Flip-Up Seat, Wrap Around Back, BLU  
*Note:* Flip-up seat w/ full suspension, adjustable 5 angle base, slide track & mounting brackets.
- A-WF222BL** Flip-Up Seat, Wrap Around Back, BLK
- A-WF222YL** Flip-Up Seat, Wrap Around Back, YLW

**For Ford / New Holland Models:** FITS SEVERAL MODELS



- A-TKBU** Cushion Kit, BLU  
*Note:* Includes trapezoid backrest & seat bottom. Fits Series T110, T222 & T300.
- A-TKBL** Cushion Kit, BLK
- A-TKYL** Cushion Kit, YLW

**For Ford / New Holland Models:**



\*Ref. ST11

- A-TM555BL** Seat, Michigan Style, BLK  
*Note:* Deluxe Cushion, w/o Slide Track
- A-TM555GR** Seat, Michigan Style, GRY
- A-TM555YL** Seat, Michigan Style, YLW
- A-TM555CA** Seat, Michigan Style, CAMO
- A-SSM100** Seat Suspension, Scissor Type

**For Ford / New Holland Models:**



\*Ref. ST05

- A-TMS111GR** Seat, Michigan Style, w/ Slide Track, Deluxe Cushion, GRY  
*Note:* Slide track width adj. 3.897" to 10.275", slide track hori. adj. max. of 6.700".
- A-TMS111BL** Seat, Michigan Style, w/ Slide Track, Deluxe Cushion, BLK
- A-TMS111YL** Seat, Michigan Style, w/ Slide Track, Deluxe Cushion, YLW
- A-SSM100** Seat Suspension, Scissor Type
- A-ST100** Slide Track Set

**For Ford / New Holland Models:**



- A-TW01** Weight Adjusting Screw w/ Knob  
*Note:* Upper one. Fits Series 110, 222, 223 & 300.
- A-TW02** Upper Spring Retainer  
*Note:* Has I.D. thread.
- A-TW03** Shock Absorber
- A-TW05** Roller  
*Note:* Two per seat on seat cushion support arms. Fits Series 110, 222, 223 & 300.
- A-TW06** Slide  
*Note:* 2 used per seat. Fits Series 110, 222, 223 & 300.
- A-TW07** Height Adjusting Knob  
*Note:* Two per seat, located on side.
- A-TW08** 222 SERIES, SEAT PIN

**For Ford / New Holland Models:**



- A-WKBU** Cushion Kit, BLU  
*Note:* Includes wrap-around backrest & seat bottom. Fits Series W222, W223 & W300.
- A-WKBL** Cushion Kit, BLK
- A-WKYL** Cushion Kit, YLW

**For Ford / New Holland Models:**



\*Ref. ST22

- A-VLD1590** 16" Narrow Flip Style Dishpan w/ Brkts  
*Note:* Black seat w/ mounting brackets (universal brackets allow the seat pan to be fitted to most compact tractor models)

**For Ford / New Holland Models:**



\*Ref. ST12

- A-TMS444GR** Seat, Michigan Style, w/ Slide Track, GRY  
*Note:* Slide track width adj. 3.897" to 10.275", slide track hori. adj. max. of 6.700".
- A-TMS444BL** Seat, Michigan Style, w/ Slide Track, BLK
- A-TMS444YL** Seat, Michigan Style, w/ Slide Track, YLW
- A-SSM100** Seat Suspension, Scissor Type
- A-ST100** Slide Track Set

**For Ford / New Holland Models:**

\*See pages 44-64 for reference pictures of seat dimensions and bolt patterns.





**A-LGS100BL** Seat, Lawn & Garden, w/ Slide Track, BLK  
*Note:* Slide track width adj. 3.897" to 10.275", slide track hori. adj. max. of 6.700".  
**A-LGS100YL** Seat, Lawn & Garden, w/ Slide Track, YLW  
**A-SSM100** Seat Suspension, Scissor Type  
**A-ST100** Slide Track Set

**For Ford / New Holland Models:**



**A-SSM100** Seat Suspension, Scissor Type  
*Note:* Suspension for seats: TMS55BL, TMS55YL, TMS55CA, TMS55GR, TM333BL & TM333YL, TM333GR, LGS100YL & LGS100BL

**For Ford / New Holland Models:**



**A-ST100** Slide Track Set  
*Note:* Used with seats: TMS111BL, TMS111YL, TMS444BL & TMS444YL, LGS100YL, LGS100BL

**For Ford / New Holland Models:**



**A-LMS2002** Seat, Lawn/Garden, BLK  
*Note:* The mounting pattern for each brand is indicated with a (letter) in the applications information, (A) = center mtg bolt, (B) = 7.5" X 7", (C) =

**A-LMS2002YL** Seat, Lawn/Garden, YLW

**For Ford / New Holland Models:**



**A-FLS122BL** Forklift Seat, BLK  
*Note:* Fits most forklifts

**For Ford / New Holland Models:**



**A-T500GY** Seat, Universal w/ Slide Track & Flip-Up Armrests, Plastic Pan, GRY VINYL

**A-T500BL** Seat, Universal w/ Slide Track & Flip-Up Armrests, BLK VINYL

*Note:* For most tractors, off-road equipment & mowers with flat mounting base.

**A-T500ARM** Armrests, Adjustable, BLK

*Note:* Set of 2. For Seat T500BL

**For Ford / New Holland Models:**



**A-FLS322BL** Forklift Seat, Shock Absorbing Spring, BLK  
*Note:* Fits most forklifts

**For Ford / New Holland Models:**



**A-CS126-1V** Flip Style Dishpan w/ Brackets, 19.750"  
*Note:* The mounting pattern for each brand is indicated with a (letter) in the applications information, (A) = center mtg bolt, (B) = 8" X 11.5", (C)

**A-VLD1628** Seat Bracket (1-LF & 1-RT)  
*Note:* Used w/ VLD1590 Seat For Compact Tractors.

**A-CS126BRKT** Bracket Hardware, For CS126-1V Seat

**For Ford / New Holland Models:**



**A-CS128-1V** High Back Dishpan, BLK  
*Note:* Universal bolt on seat. Has a hole for safety switch.

**A-AR128-1V** Armrest Assembly For Seat Above

**A-ST100** Slide Track Set

**For Ford / New Holland Models:** ALL MODELS



**A-CS133-1V** High Back, Moulded Dishpan Seat, BLK  
*Note:* Bolt pattern: 8" X 11.5" & 11.25" X 11.5"

**A-ST100** Slide Track Set

**For Ford / New Holland Models:**



**A-CS140-1V** Seat Assy. w/ Flip-Up Arms, BLK VINYL  
*Note:* Necessary clearance for armrest: 21.5" arms up, 20.5" arms down, ION.

**For Ford / New Holland Models:** FITS SEVERAL MODELS



**A-HIS360** High Back Industrial Seat w/ Suspension, Slide Track & Armrests, BLK

**For Ford / New Holland Models:**



**A-RSB22** Retractable Seat Belt

**For Ford / New Holland Models:**



**A-T122BL** Seat, Non-Susp./Slide Track/BLK  
*Note:* Fits: Forklifts, Compact Tractors & Skidsteers

**For Ford / New Holland Models:** FITS SEVERAL MODELS



**A-SBKT** Seat Belt

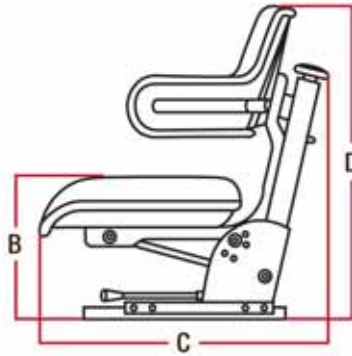
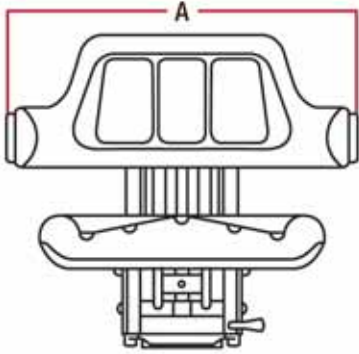
**For Ford / New Holland Models:** FITS SEVERAL MODELS For Universal Seats



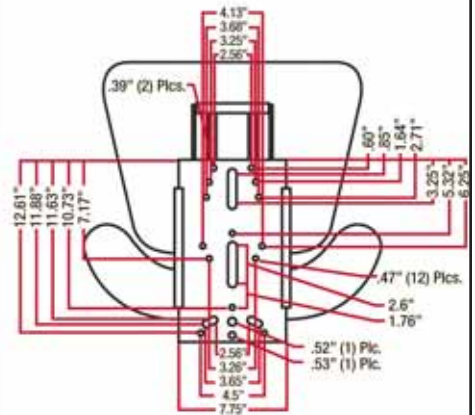
**A-AR1500-1V** Armrest Assembly for Speer Seat  
**For Ford / New Holland Models:** ALL MODELS, 455, 550, 555, 555A, 555B, 655, 655A

\*See pages 44-64 for reference pictures of seat dimensions and bolt patterns.

**ST01** - pgs. 6, 14, 20, 24, 29, 31, 35, 39, 42

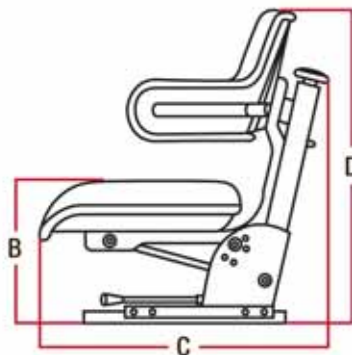
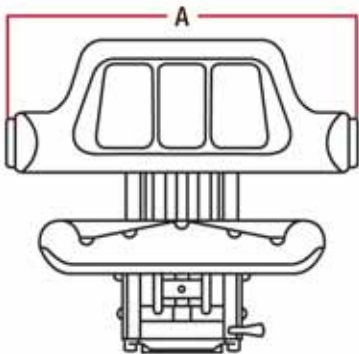


**A = 22"**  
**B = 11" (flip-up)**  
**C = 22.75"**  
**D = 20.25"**

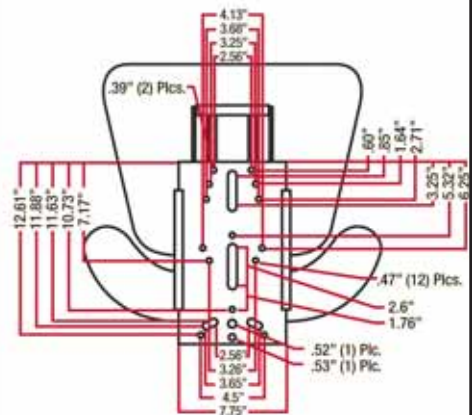


**Bolt Pattern**

**ST02** - pgs. 7, 14, 19, 21, 24, 31, 35, 42

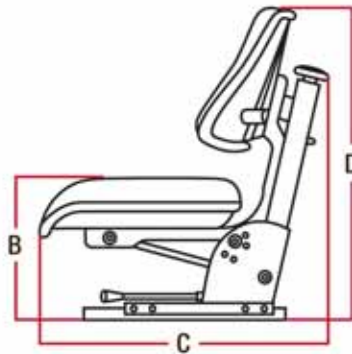
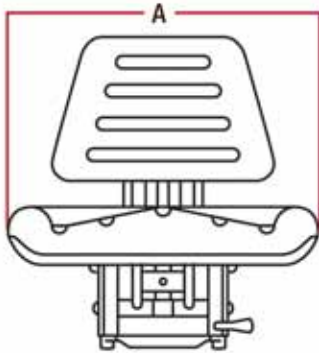


**A = 21.75"**  
**B = 9.5"**  
**C = 21.25"**  
**D = 20.5"**

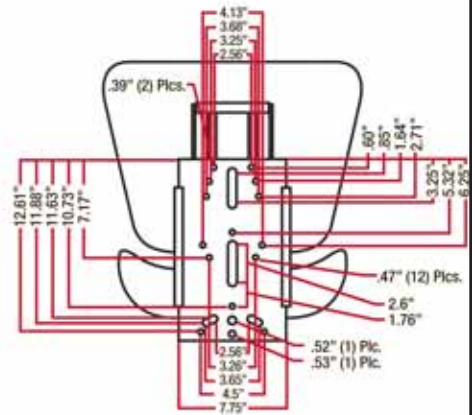


**Bolt Pattern**

**ST03** - pgs. 7, 14, 19, 24, 31, 35, 39, 41

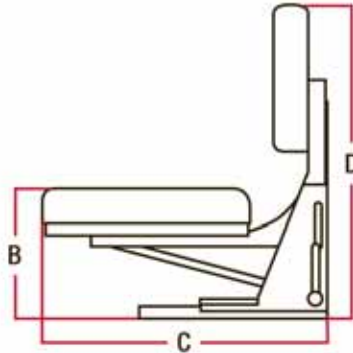
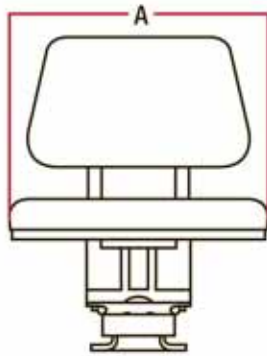


**A = 20"**  
**B = 11" (flip-up)**  
**C = 21.5"**  
**D = 21.5"**



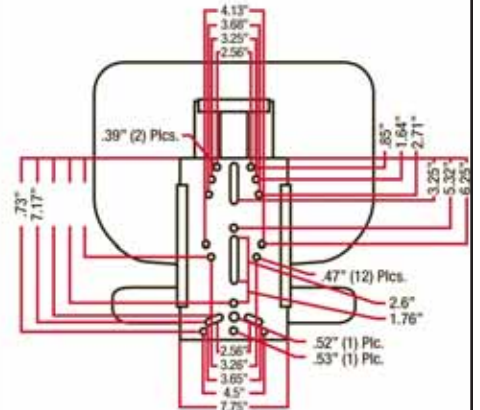
**Bolt Pattern**

**ST04** - pgs. 8, 13, 19, 24, 31, 35, 39, 41



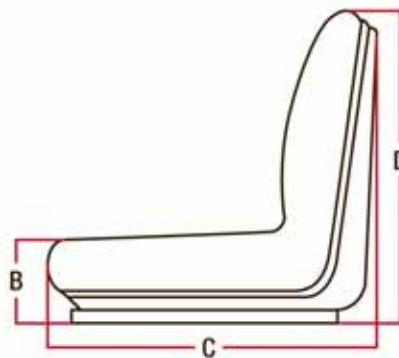
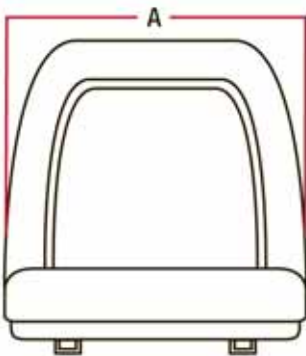
**A = 18.5"**  
**B = 8.5"**

**C = 20"**  
**D = 21"**



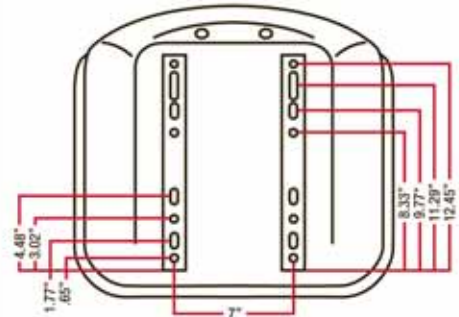
**Bolt Pattern**

**ST05** - pgs. 9, 14, 20, 24, 32, 36, 40, 42



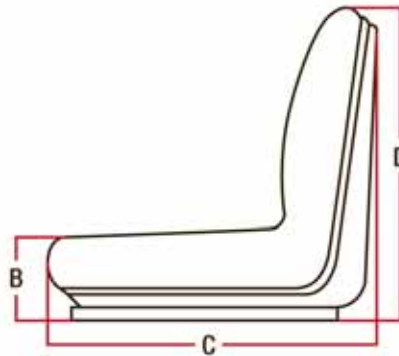
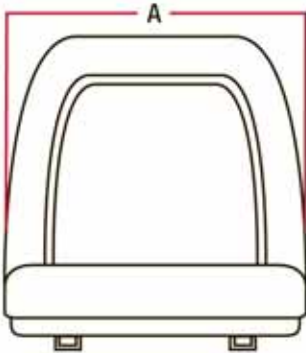
**A = 18"**  
**B = 5"**

**C = 15.625"**  
**D = 18"**



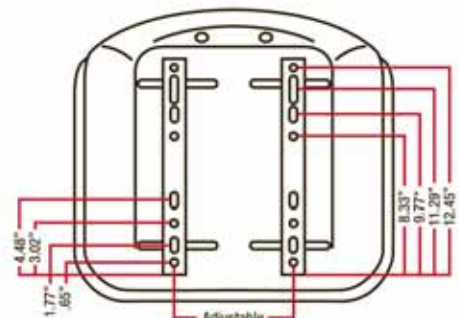
**Bolt Pattern**

**ST06** - pgs. 10, 15, 20, 25, 32, 36, 39, 42



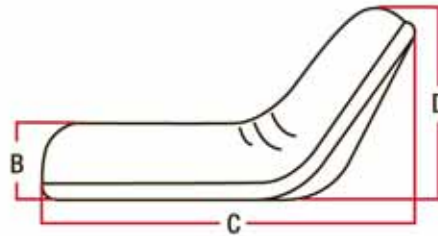
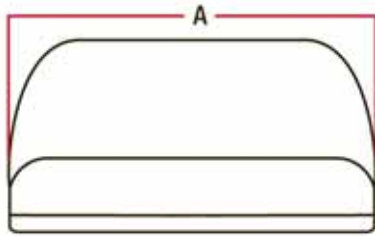
**A = 15.5"**  
**B = 3"**

**C = 18"**  
**D = 14.5"**



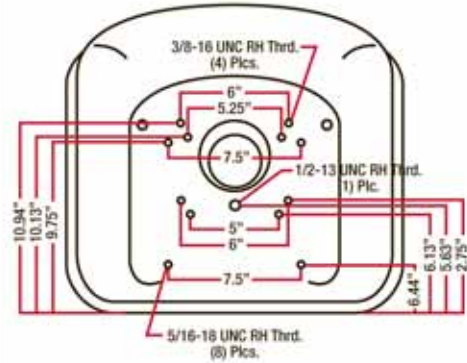
**Bolt Pattern**

**ST07** - pgs. 9, 15, 20, 25, 26, 32, 36, 38, 43



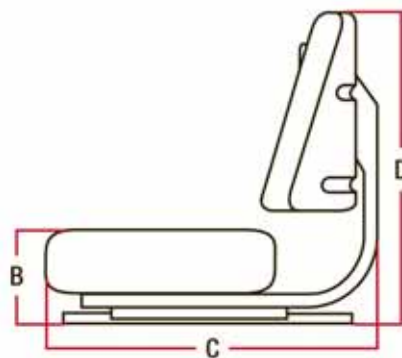
**A = 19"**  
**B = 3"**

**C = 18.5"**  
**D = 13"**



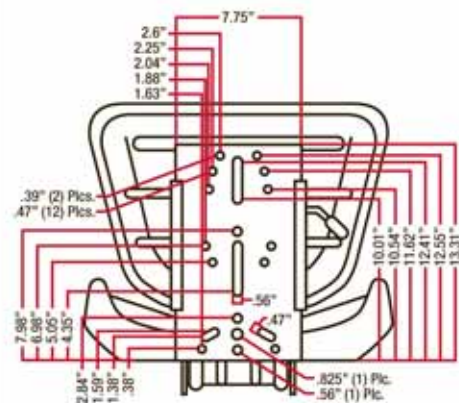
**Bolt Pattern**

**ST08** - pgs. 5, 13, 19, 23, 30, 34, 39, 41



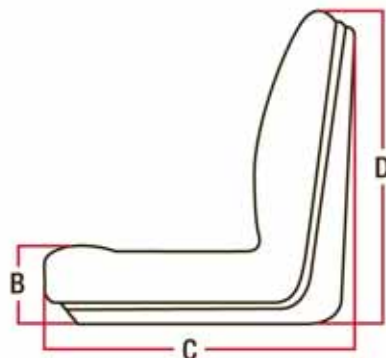
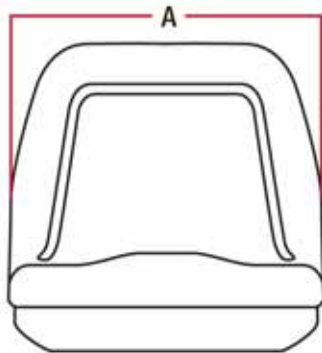
**A = 18.5"**  
**B = 6.25"**

**C = 18.5"**  
**D = 17.75"**



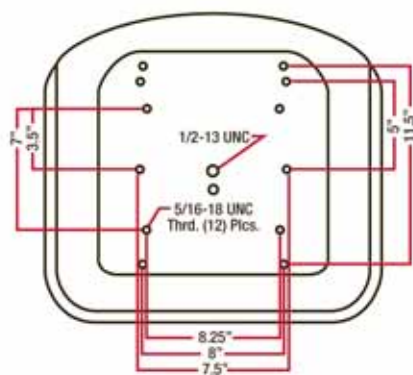
**Bolt Pattern**

**ST09** - 10, 14, 20, 24, 31, 35, 39, 42



**A = 18"**  
**B = 5.5"**

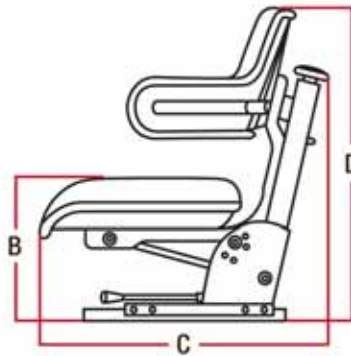
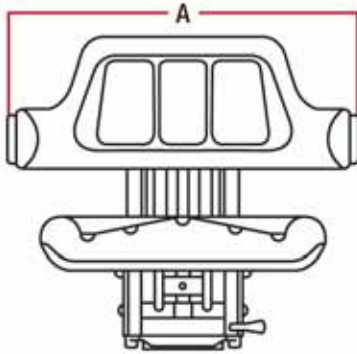
**C = 18.25"**  
**D = 13.25"**



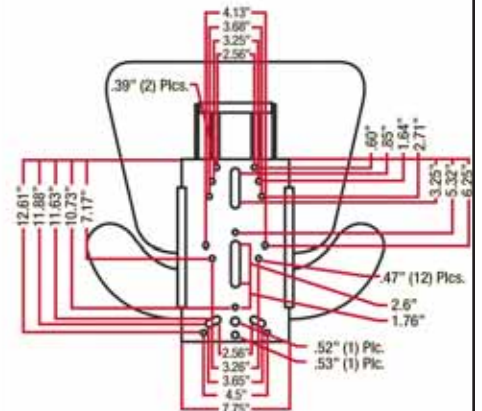
**Bolt Pattern**



**ST10** - pgs. 5, 14, 20, 21, 23, 31, 35, 42

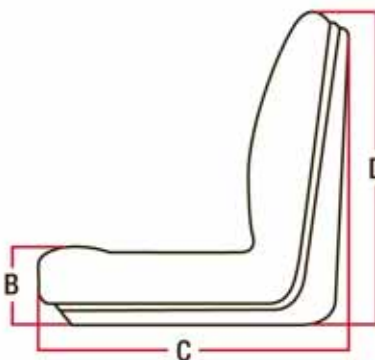
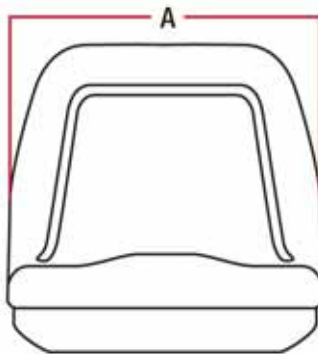


**A = 19.5"**      **C = 19.5"**  
**B = 10.5"**      **D = 19.5"**

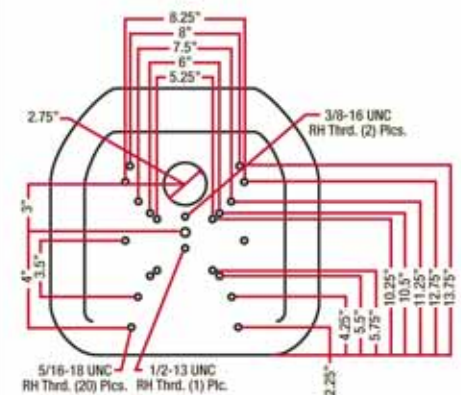


**Bolt Pattern**

**ST11** - 9, 14, 20, 24, 31, 35, 39, 42

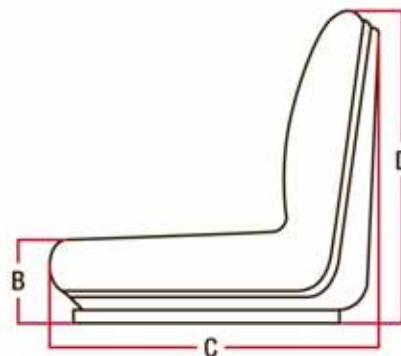
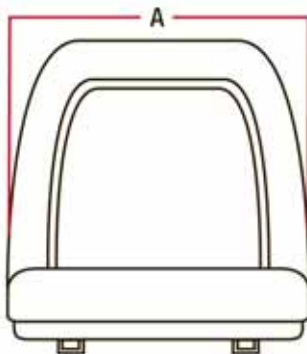


**A = 18.5"**      **C = 19.5"**  
**B = 5.5"**      **D = 16"**

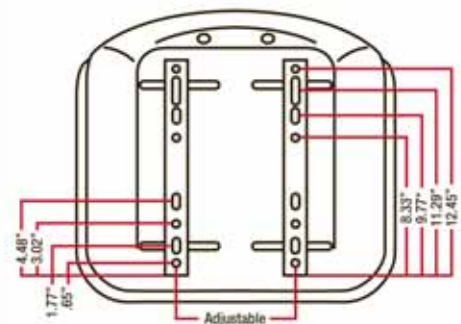


**Bolt Pattern**

**ST12** - pgs. 10, 14, 20, 24, 32, 36, 40, 42

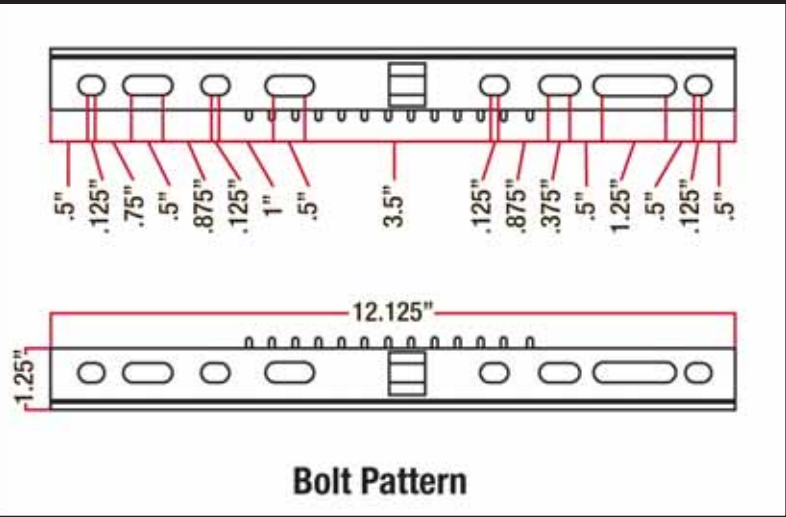


**A = 18.25"**      **C = 19.5"**  
**B = 4"**      **D = 15.75"**

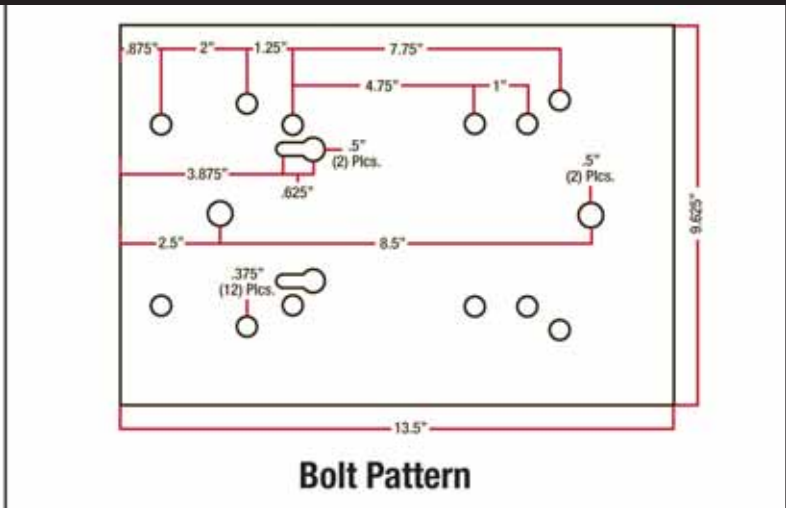


**Bolt Pattern**

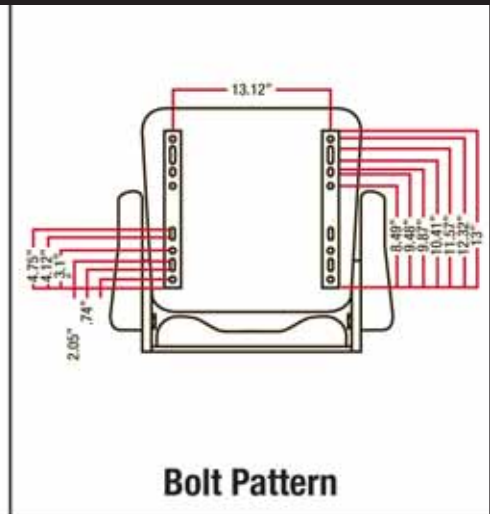
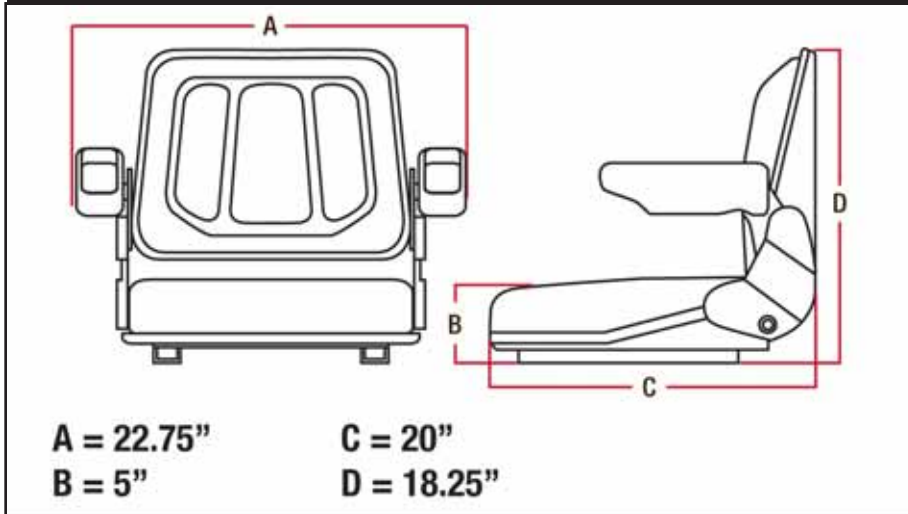
**ST13** - pgs. 4, 9, 15, 20, 25, 32, 36, 37, 40, 42



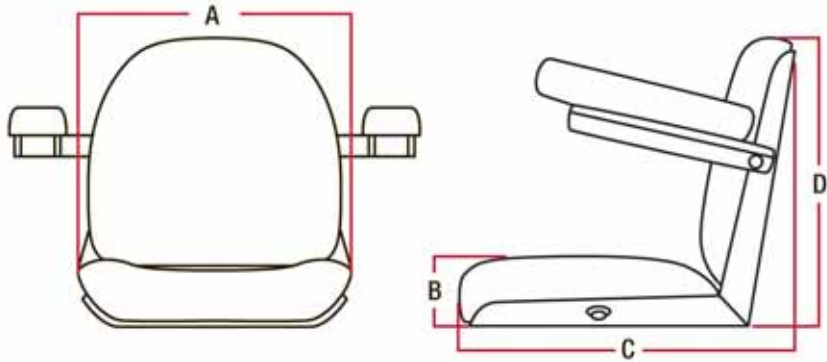
**ST14** - pg. 10, 15, 20, 25, 32, 36, 38, 40



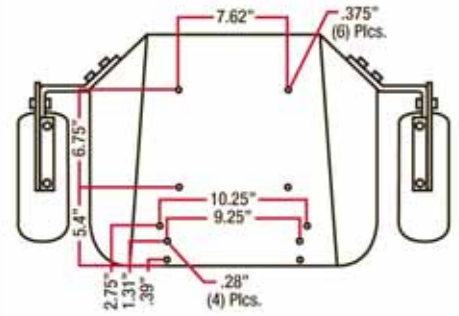
**ST15** - pgs. 11, 15, 21, 25, 32, 36, 43



**ST16** - pg. 16

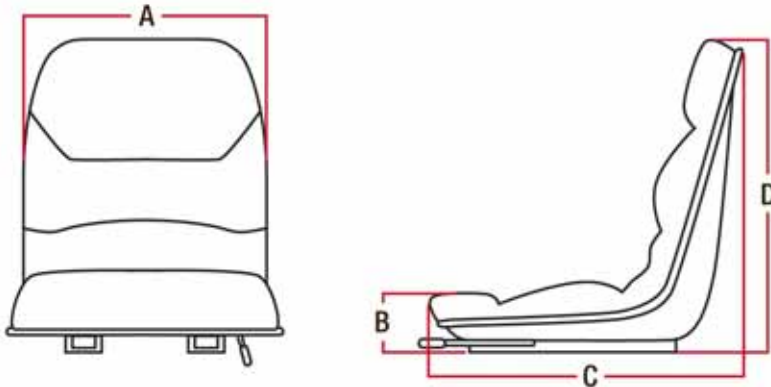


**A = 21"**                      **C = 16.5"**  
**B = 4"**                         **D = 18"**

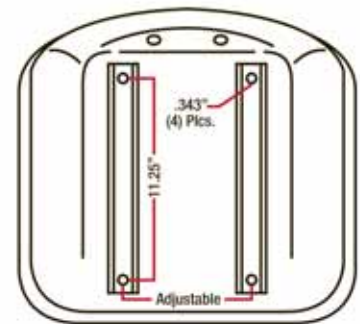


**Bolt Pattern**

**ST17** - pgs. 4, 13, 15, 16, 18, 21, 22, 25, 26, 32, 36, 37, 38, 40, 43

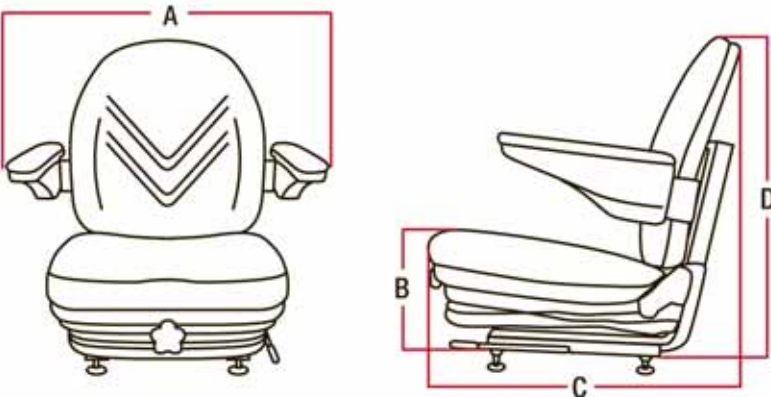


**A = 17.5"**                      **C = 21.5"**  
**B = 4.25"**                      **D = 20.5"**

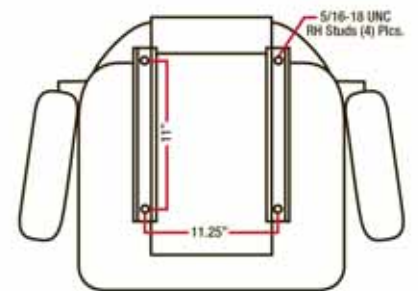


**Bolt Pattern**

**ST18** - pgs. 12, 15, 21, 25, 32, 36, 39, 43

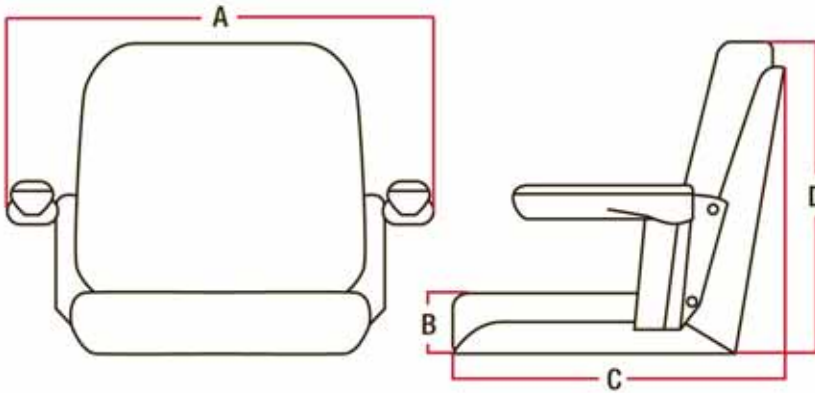


**A = 23.625"**                      **C = 23.5"**  
**B = 10.5"**                        **D = 25.25"**

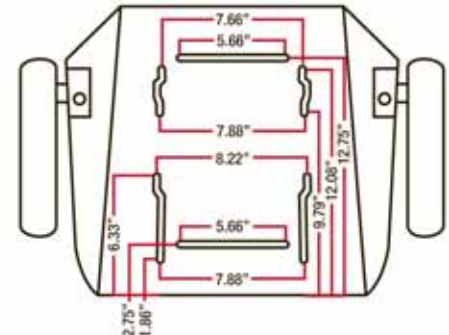


**Bolt Pattern**

**ST19** - pgs. 11, 13, 15, 16, 18, 21, 25, 32, 34, 36, 38, 40, 43

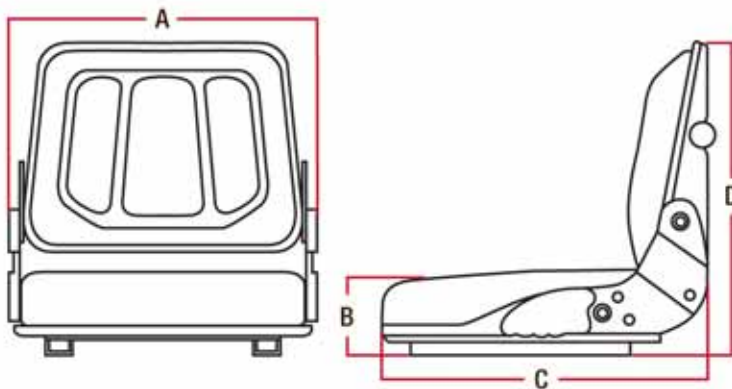


**A = 24.625"**      **C = 15.75"**  
**B = 2.75"**      **D = 17.375"**

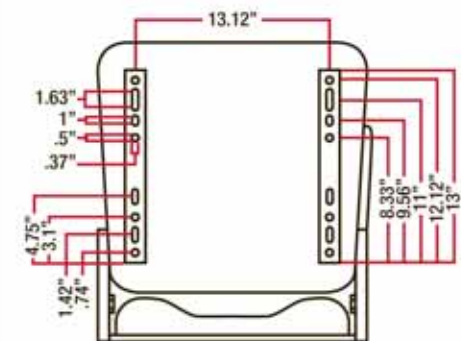


**Bolt Pattern**

**ST20** - pgs. 12, 15, 21, 25, 32, 36, 39, 43

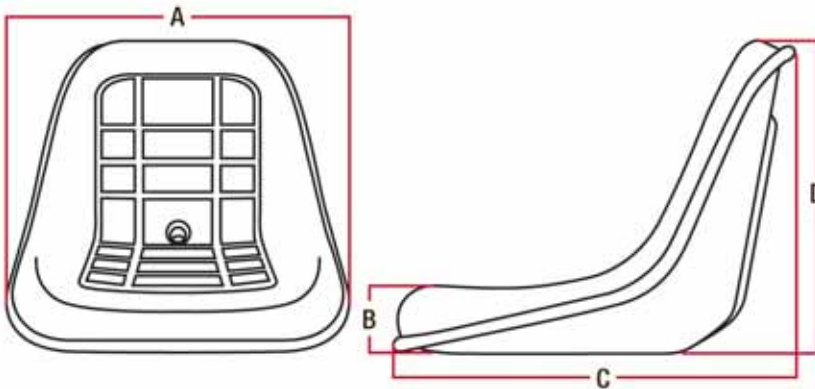


**A = 17.75"**      **C = 15.5"**  
**B = 5"**      **D = 19"**

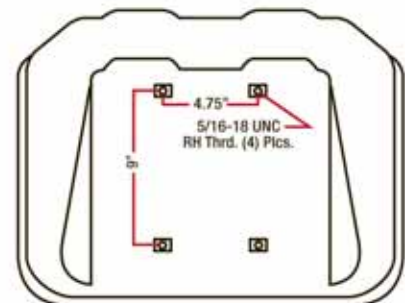


**Bolt Pattern**

**ST21** - pg. 16



**A = 18.5"**      **C = 17"**  
**B = 3"**      **D = 13.5"**

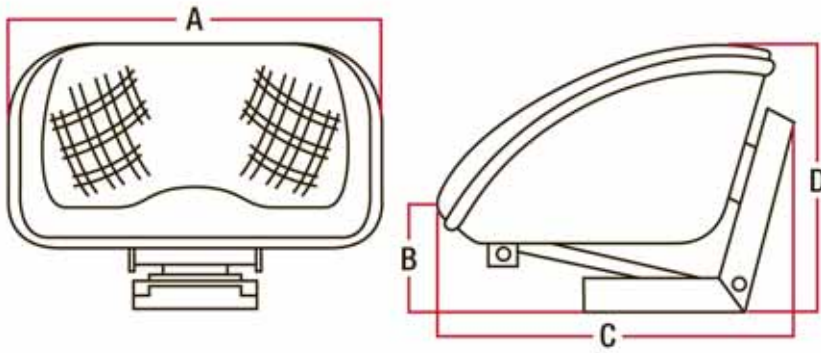


**Bolt Pattern**

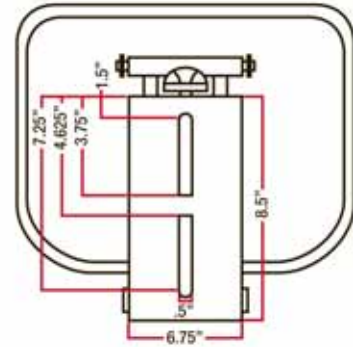




**ST25** - pgs. 12, 38

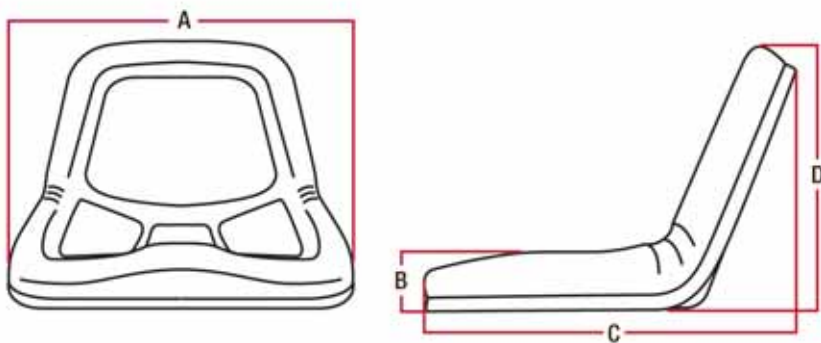


**A = 21.25"**      **C = 20.25"**  
**B = 9.25"**      **D = 15.75"**

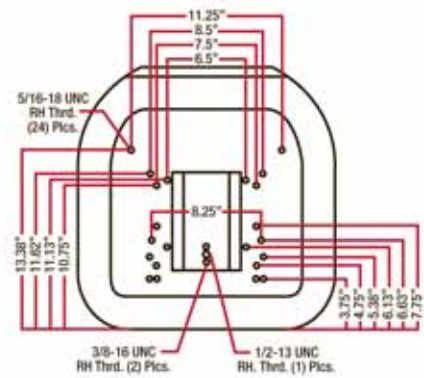


**Bolt Pattern**

**ST26** - pgs. 4, 13, 15, 21, 23, 25, 26, 34, 36, 38, 41, 43

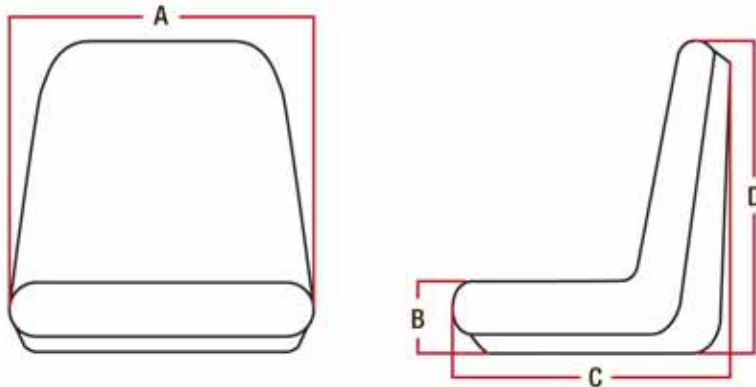


**A = 19.5"**      **C = 20"**  
**B = 3.25"**      **D = 13.5"**

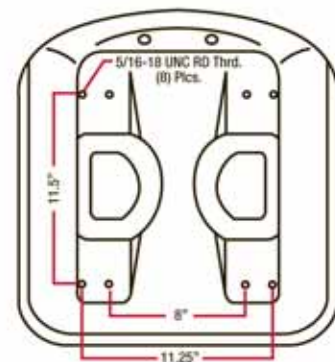


**Bolt Pattern**

**ST27** - pgs. 4, 15, 18, 21, 25, 26, 32, 36, 38, 43

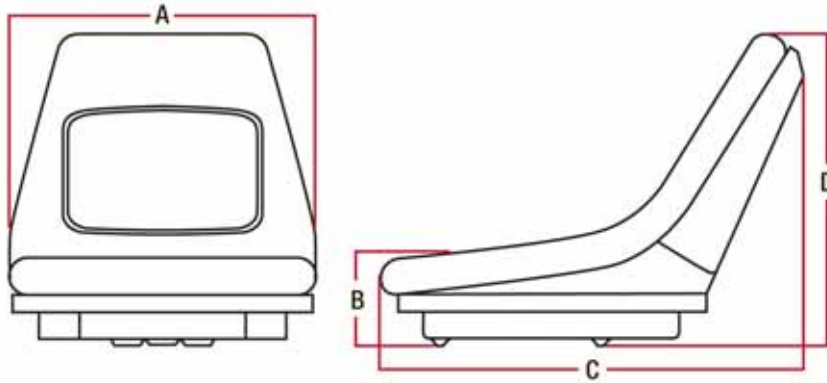


**A = 19.375"**      **C = 23"**  
**B = 4.25"**      **D = 22"**

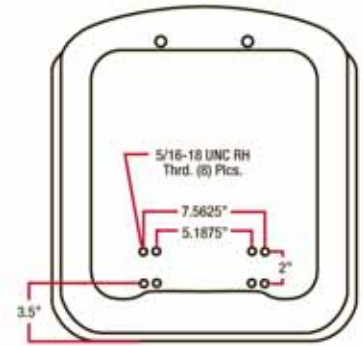


**Bolt Pattern**

**ST28 - pg. 32**

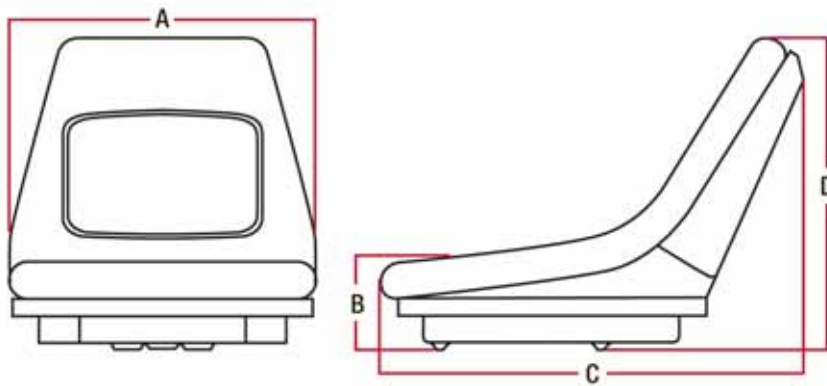


**A = 17"**  
**B = 4.5"**  
**C = 23"**  
**D = 18"**

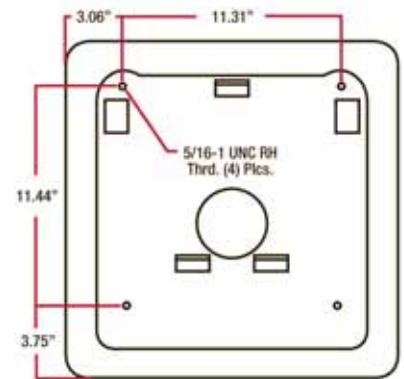


**Bolt Pattern**

**ST29 - pg. 16**

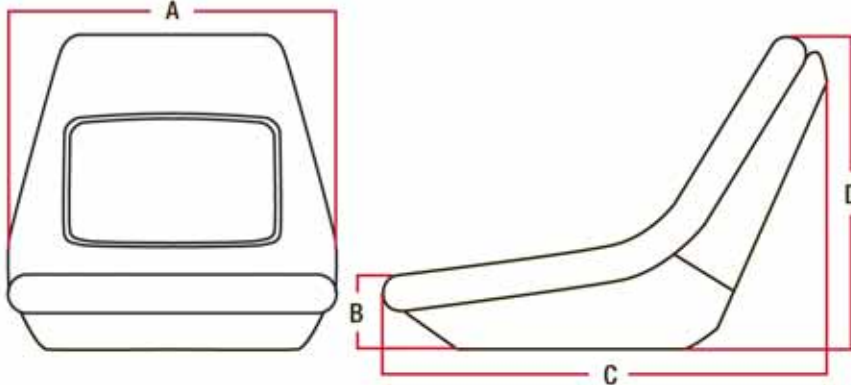


**A = 17.5"**  
**B = 5"**  
**C = 23.5"**  
**D = 17.5"**

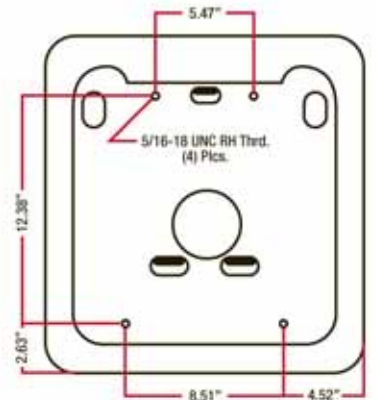


**Bolt Pattern**

**ST31 - pg. 32**

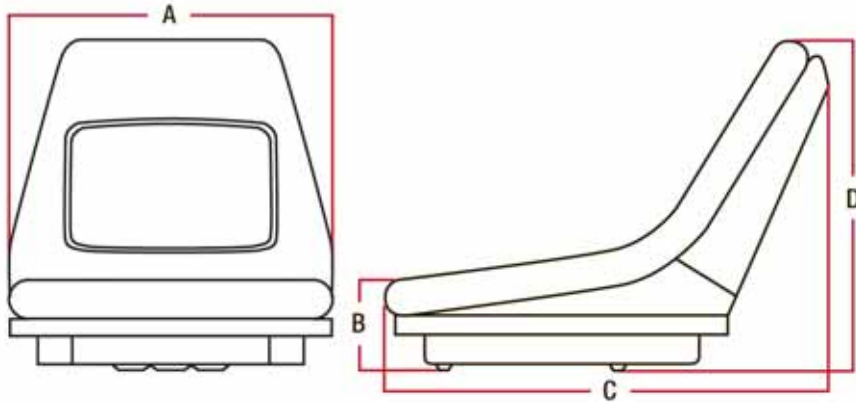


**A = 17.5"**  
**B = 5"**  
**C = 23.5"**  
**D = 17.5"**

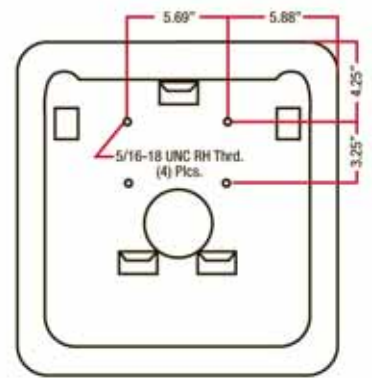


**Bolt Pattern**

ST32 - pg. 30

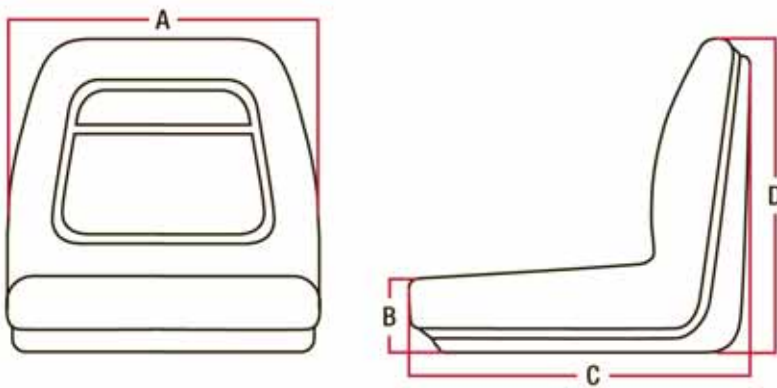


**A = 17.5"**      **C = 23.5"**  
**B = 5"**          **D = 17.5"**

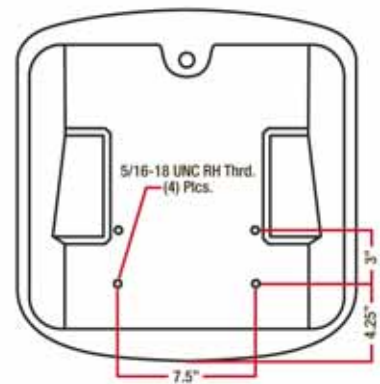


**Bolt Pattern**

ST33 - pg. 29

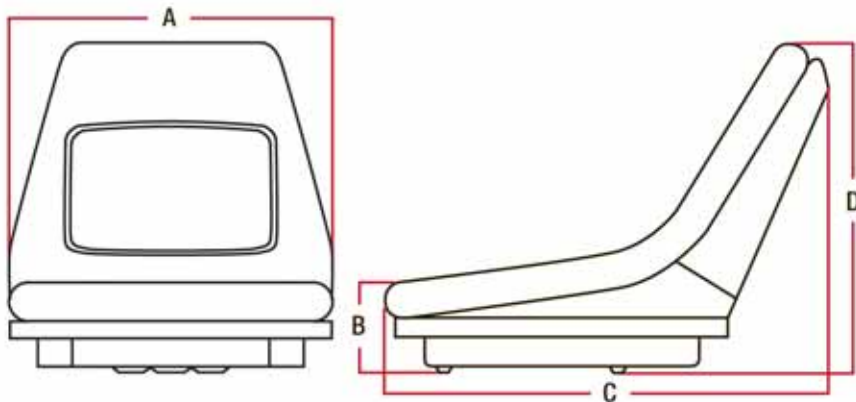


**A = 18"**      **C = 19.5"**  
**B = 3"**          **D = 18"**

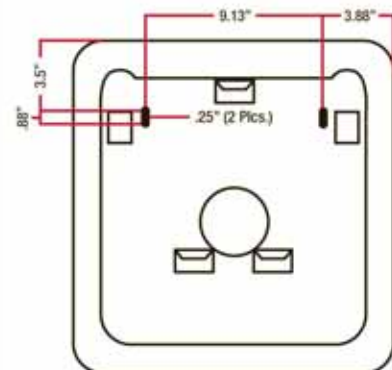


**Bolt Pattern**

ST34 - pg. 32



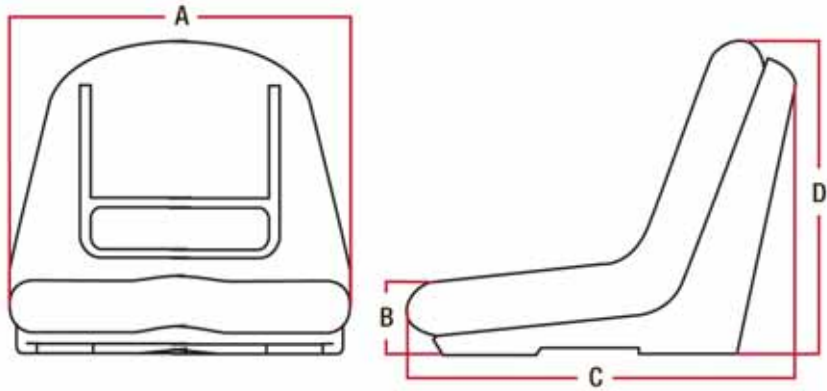
**A = 17.5"**      **C = 23.5"**  
**B = 5"**          **D = 17.5"**



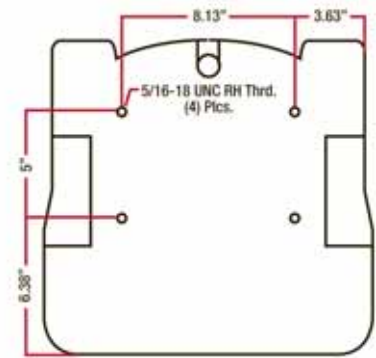
**Bolt Pattern**



**ST35 - pg. 30**

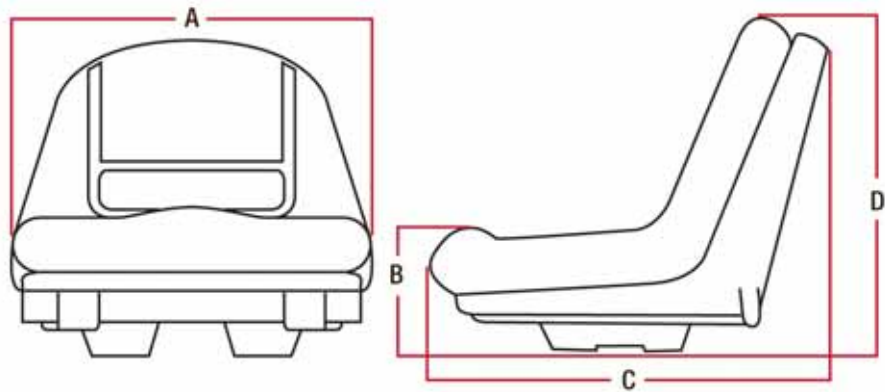


**A = 18"**      **C = 19.25"**  
**B = 3"**      **D = 15"**

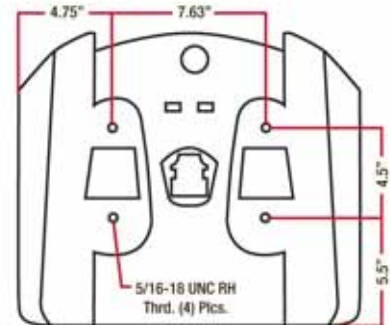


**Bolt Pattern**

**ST36 - pg. 30**

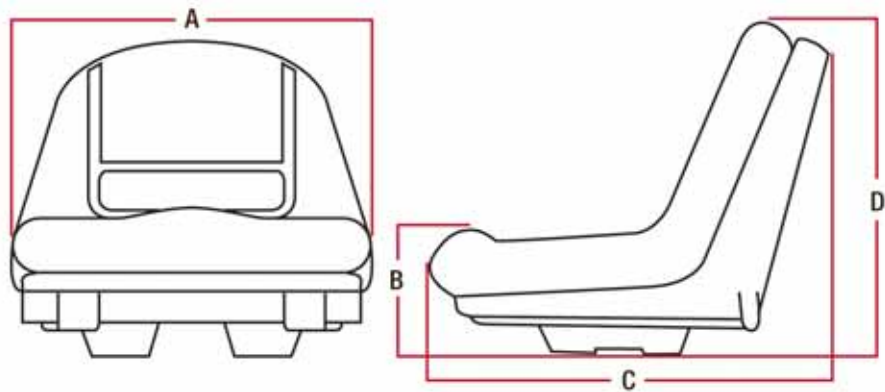


**A = 17.75"**      **C = 21.25"**  
**B = 7.5"**      **D = 15.5"**

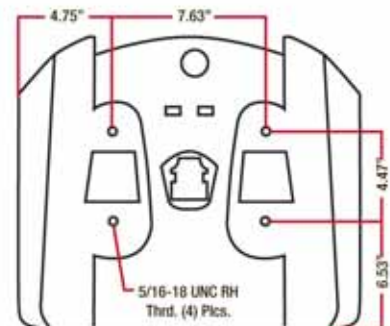


**Bolt Pattern**

**ST37 - pg. 29**

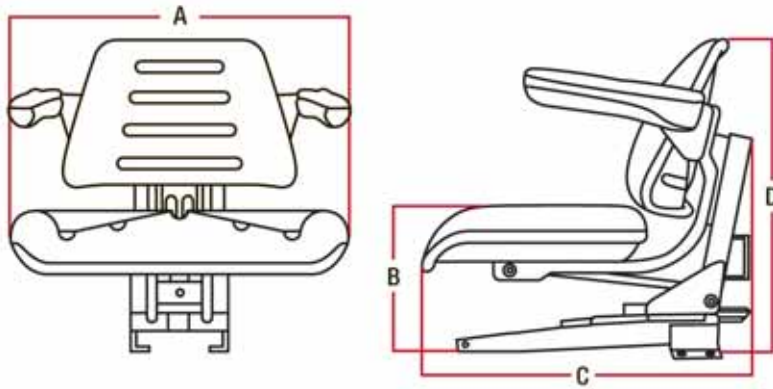


**A = 17.75"**      **C = 21.5"**  
**B = 8"**      **D = 15.5"**

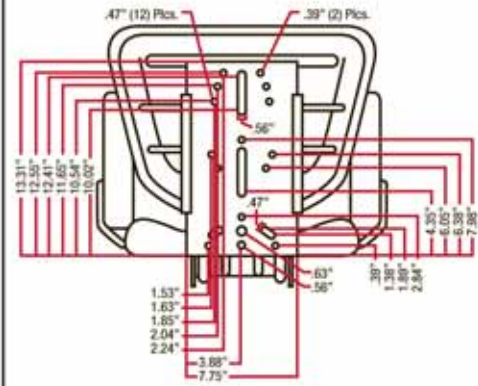


**Bolt Pattern**

**ST39 - pg. 33**

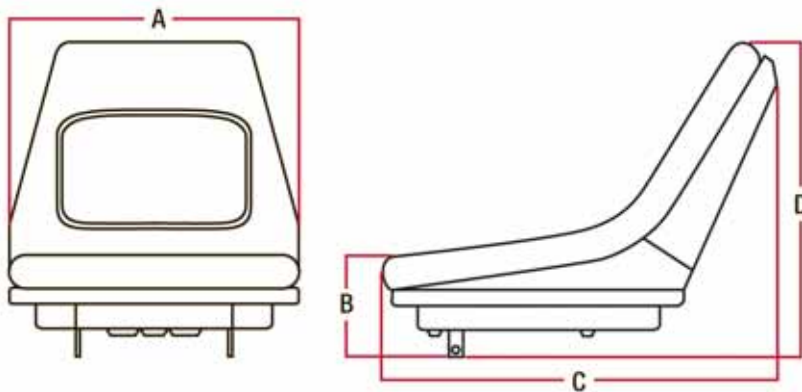


**A = 20.5"**      **C = 20.5"**  
**B = 9.25"**      **D = 22"**

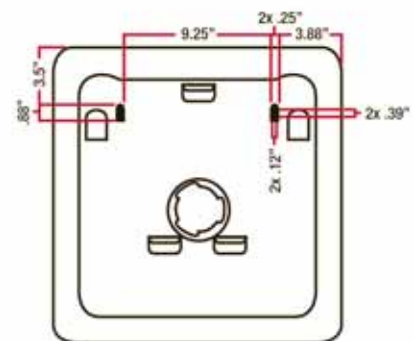


**Bolt Pattern**

**ST40 - pg. 30**

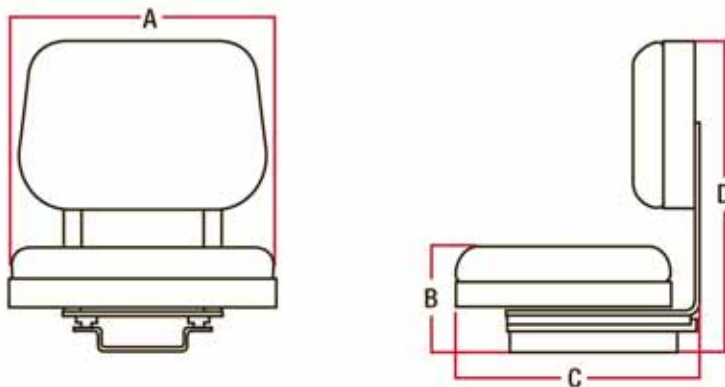


**A = 17.5"**      **C = 23.5"**  
**B = 5"**      **D = 17.5"**

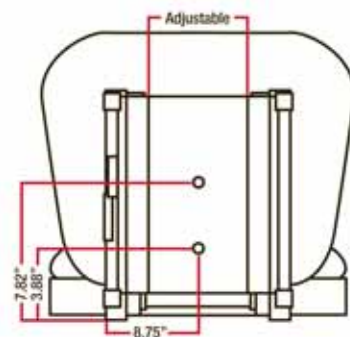


**Bolt Pattern**

**ST41 - pg. 23**

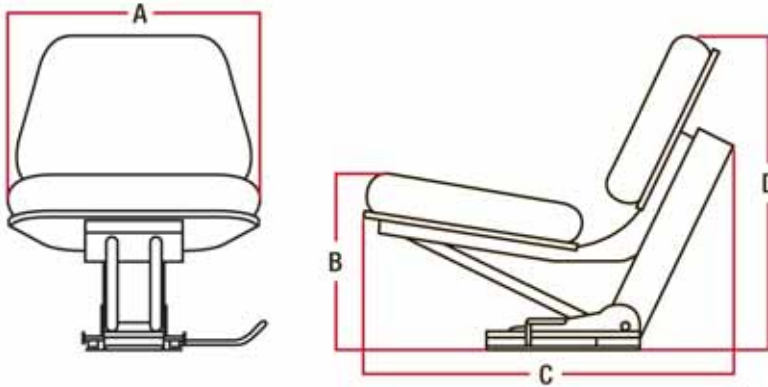


**A = 18.5"**      **C = 17.02"**  
**B = 7.18"**      **D = 21.71"**

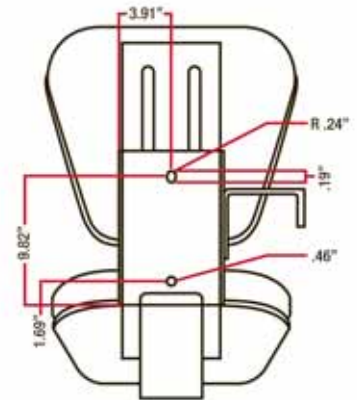


**Bolt Pattern**

**ST42 - pg. 30**

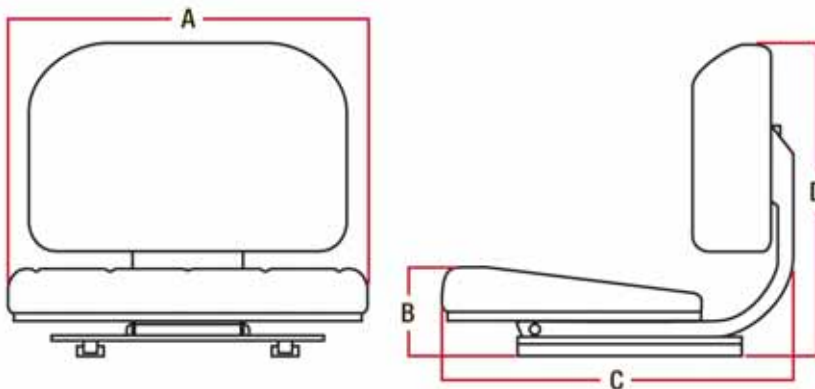


**A = 19"**  
**B = Adjustable**  
**C = 26.5"**  
**D = 24.11"**

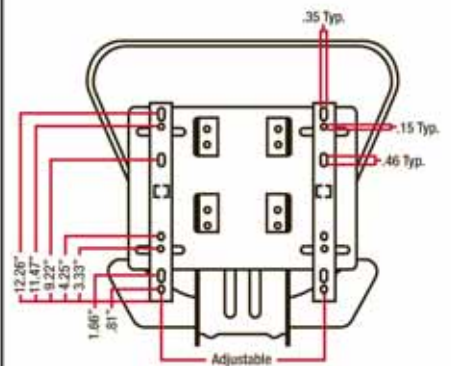


**Bolt Pattern**

**ST43 - pgs. 5, 15, 21, 25, 30, 37, 43**

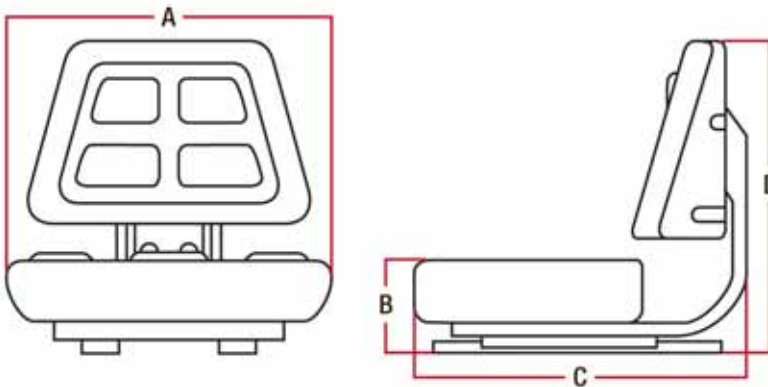


**A = 20"**  
**B = 6.5"**  
**C = 20"**  
**D = 16.25"**

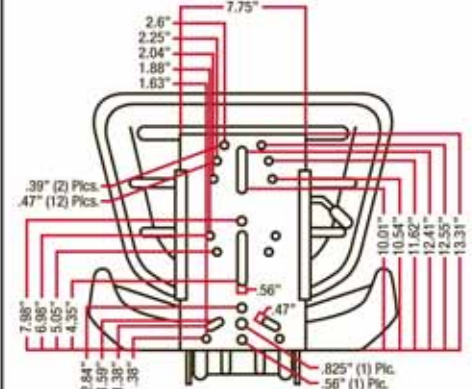


**Bolt Pattern**

**ST44 - pgs. 14, 20, 24, 31, 35, 39, 42**

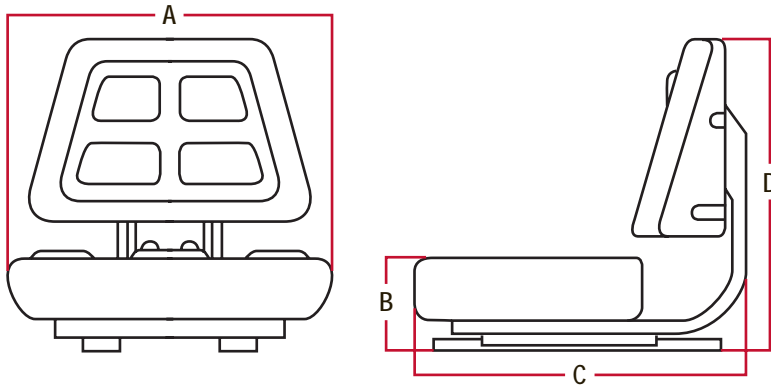


**A = 20.25"**  
**B = 9"**  
**C = 20.25"**  
**D = 19.75"**

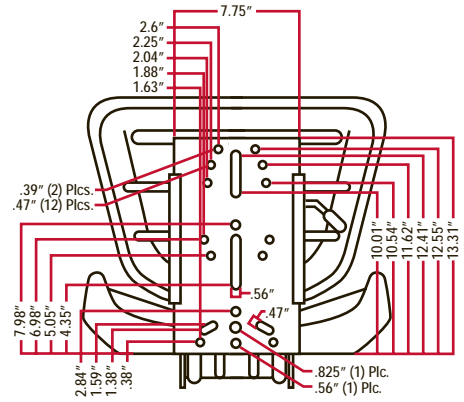


**Bolt Pattern**

ST45 - pg. 39

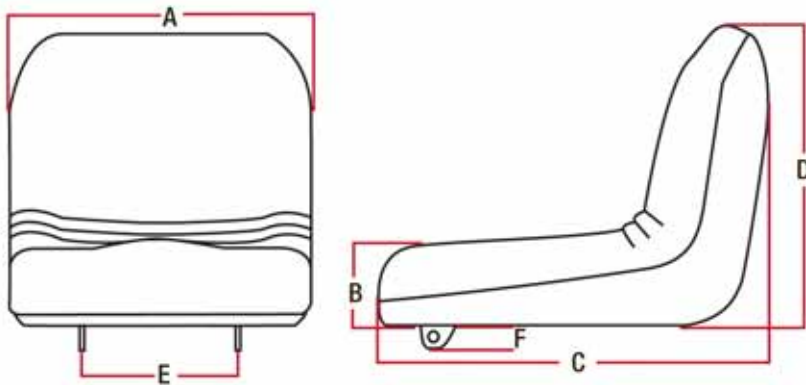


A = 20"  
B = 12.5"  
C = 19.5"  
D = 19"



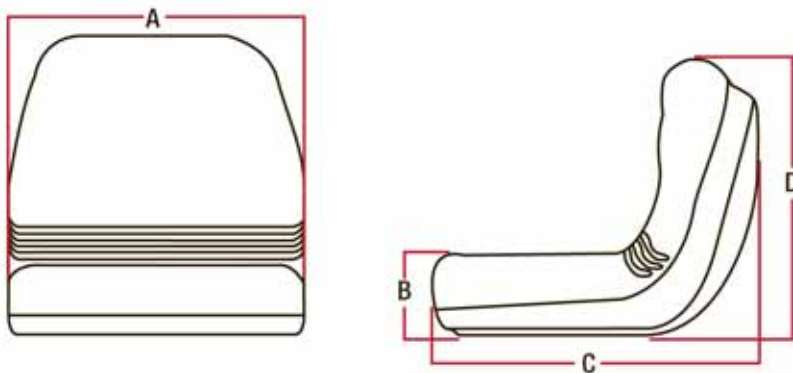
Bolt Pattern

ST49 - pg. 30

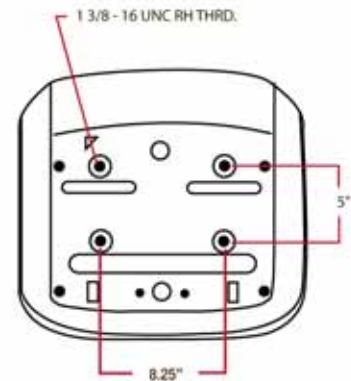


A = 19"  
B = 5"  
C = 20"  
D = 13.5"  
E = 9.0625"  
F = 2.625"

ST50 - pg. 30



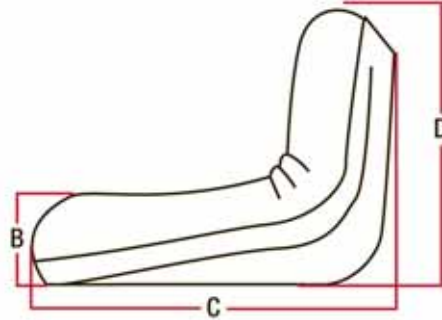
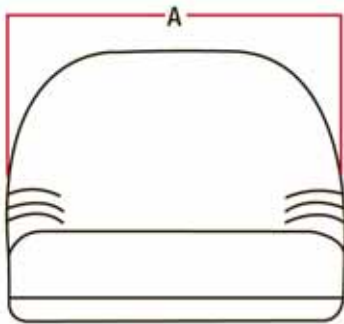
A = 18.5"  
B = 4"  
C = 19.5"  
D = 14"



Bolt Pattern

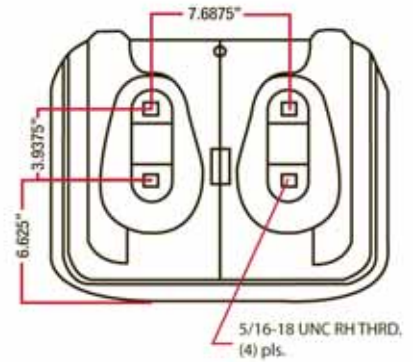


**ST51 - pg. 29**



**A = 16.5"**  
**B = 4"**

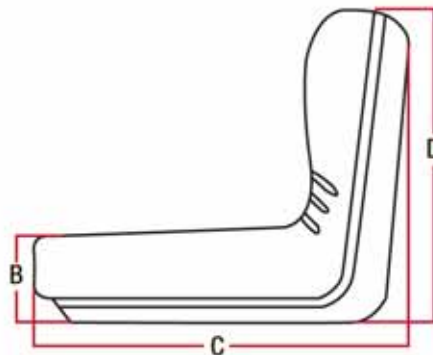
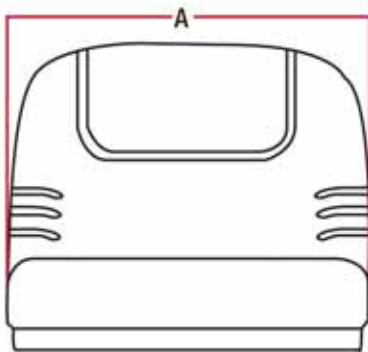
**C = 18.25"**  
**D = 10.75"**



**Bolt Pattern**

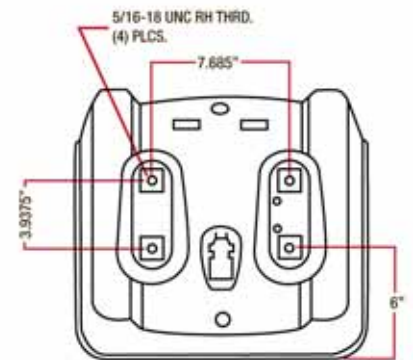
5/16-18 UNC RH THRD.  
(4) pls.

**ST52 - pg. 30**



**A = 16.5"**  
**B = 5.5"**

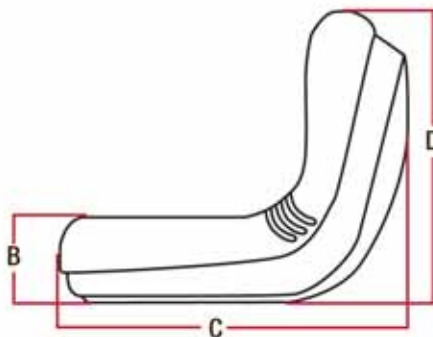
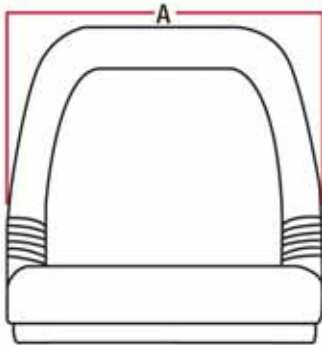
**C = 16.25"**  
**D = 13"**



**Bolt Pattern**

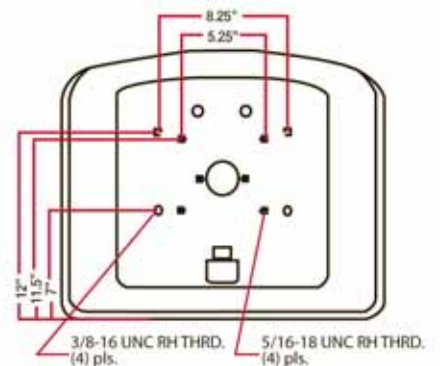
5/16-18 UNC RH THRD.  
(4) PLCS.

**ST53 - pg. 30**



**A = 19.625"**  
**B = 5"**

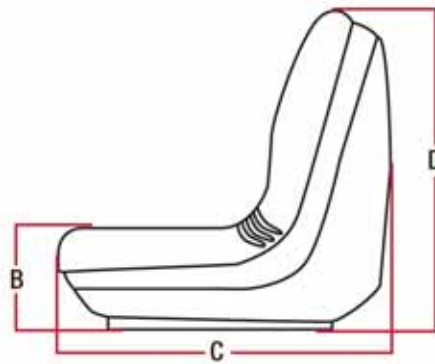
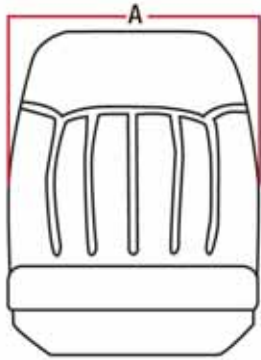
**C = 19.5"**  
**D = 13.875"**



**Bolt Pattern**

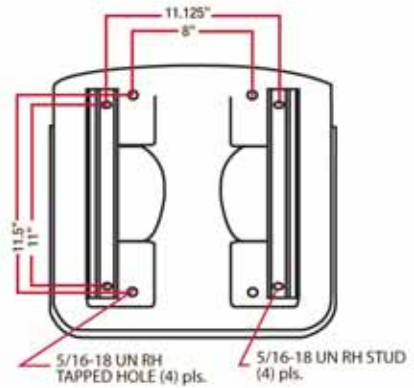
3/8-16 UNC RH THRD. (4) pls.      5/16-18 UNC RH THRD. (4) pls.

ST55 - pg. 16



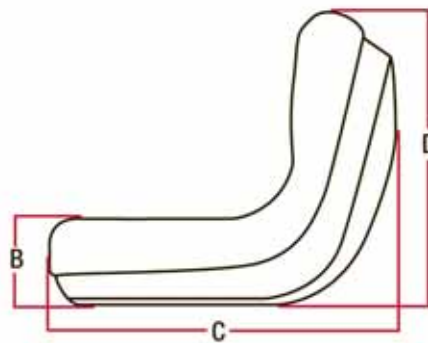
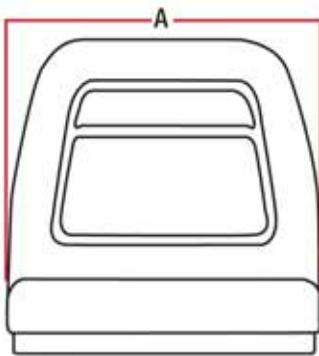
**A = 18.75"**  
**B = 6.25"**

**C = 22"**  
**D = 23"**



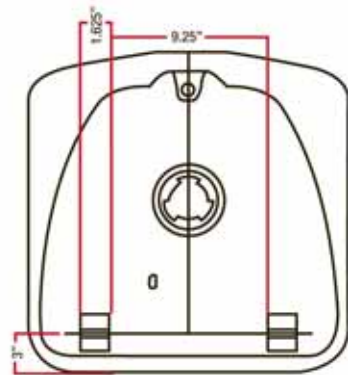
**Bolt Pattern**

ST59 - pg. 29



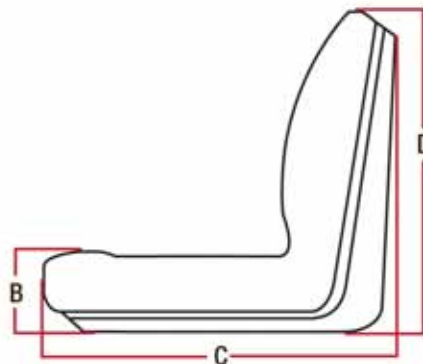
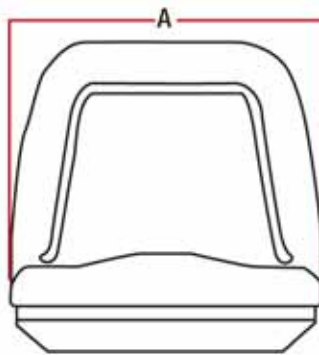
**A = 18"**  
**B = 4.75"**

**C = 21.25"**  
**D = 15.375"**



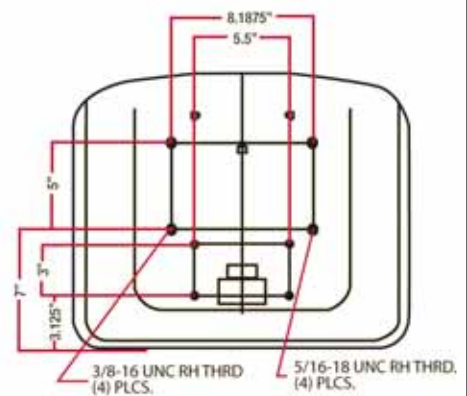
**Bolt Pattern**

ST60 - pg. 29



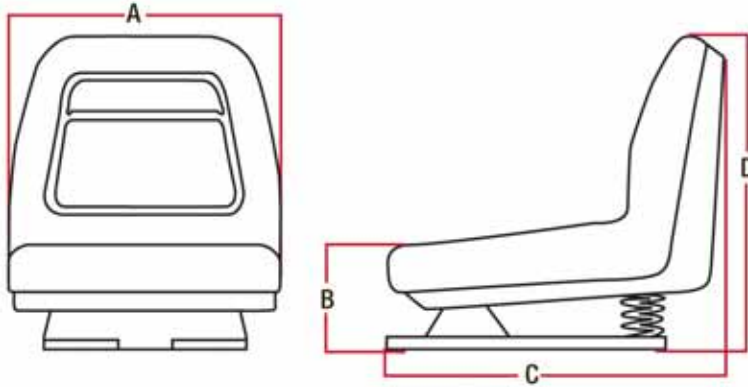
**A = 19.5"**  
**B = 5.5"**

**C = 20.25"**  
**D = 14"**

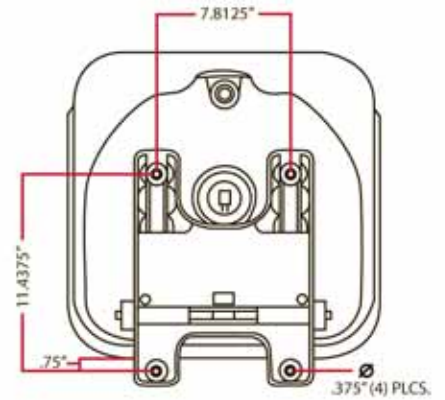


**Bolt Pattern**

**ST62 - pg. 30**

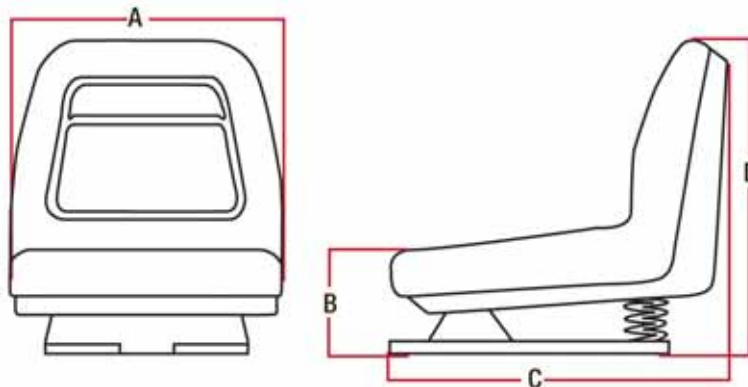


**A = 18.25"**      **C = 20"**  
**B = 7.75"**      **D = 20.5"**

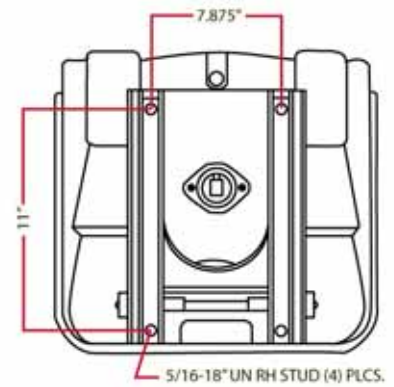


**Bolt Pattern**

**ST65 - pg. 30**

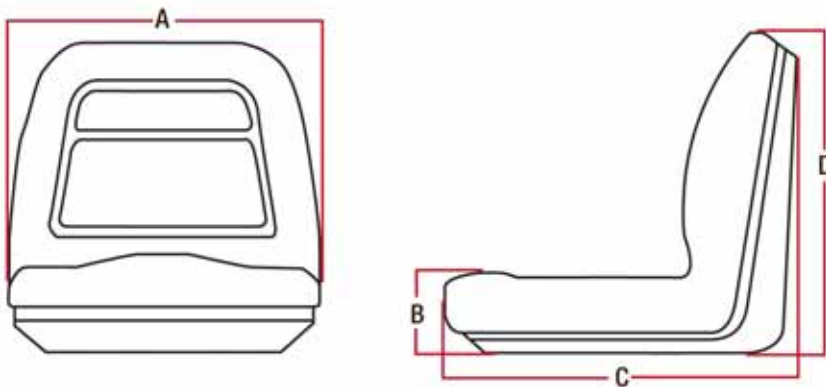


**A = 18.25"**      **C = 20.5"**  
**B = 8.25"**      **D = 24"**

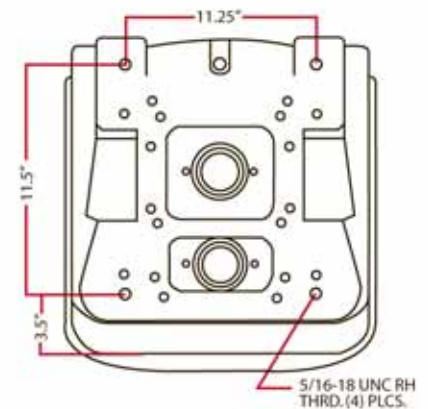


**Bolt Pattern**

**ST67 - pg. 30**

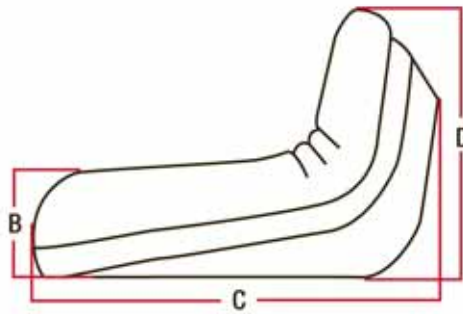
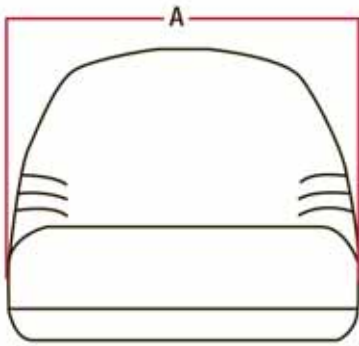


**A = 18"**      **C = 21.25"**  
**B = 4.75"**      **D = 19.25"**

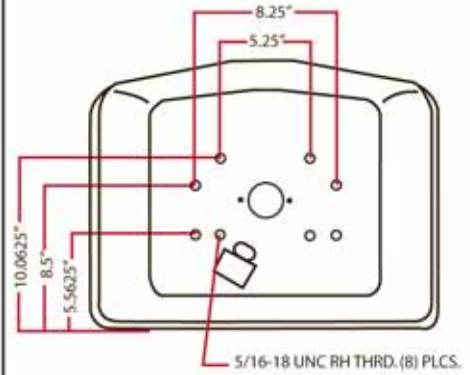


**Bolt Pattern**

ST70 - pg. 30

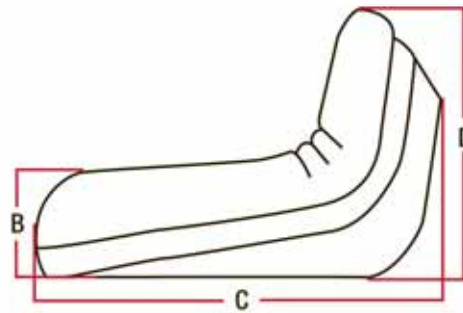
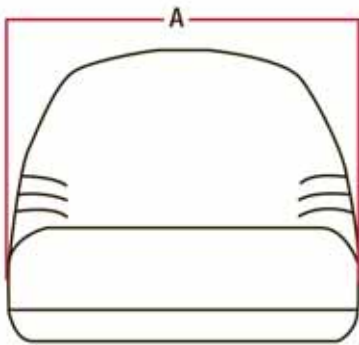


**A = 18.25"**  
**B = 4.25"**  
**C = 15"**  
**D = 8.25"**

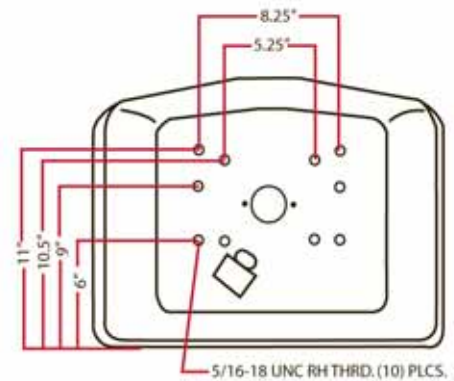


**Bolt Pattern**

ST71 - pg. 30

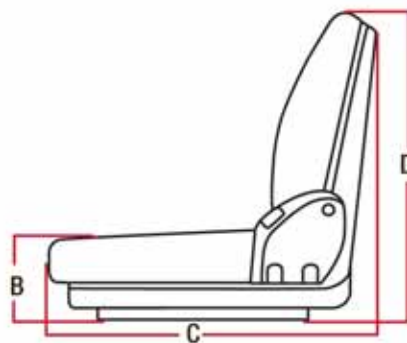


**A = 18.25"**  
**B = 4.25"**  
**C = 15"**  
**D = 8.25"**

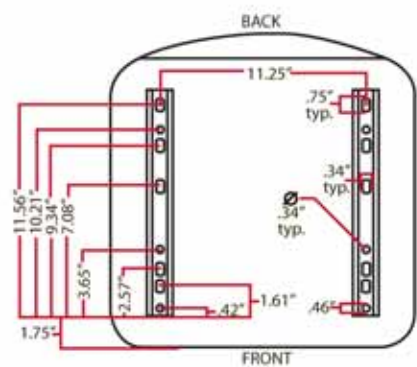


**Bolt Pattern**

ST76 - pg. 1



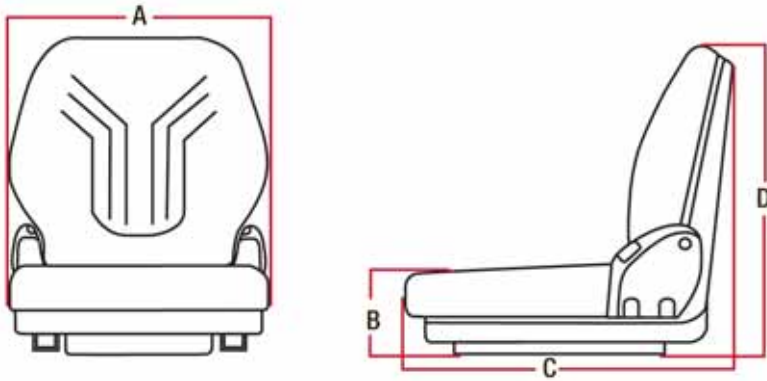
**A = 18.625"**  
**B = 5.35" - 6.14"**  
**(Range of Travel)**  
**C = 24"**  
**D = 22.5"**



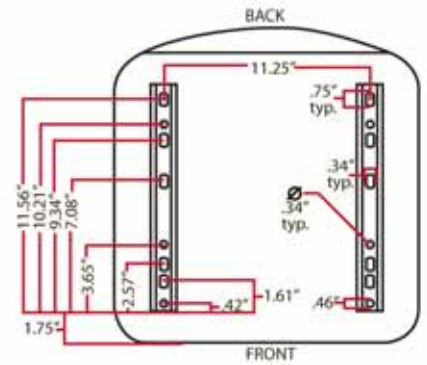
**Bolt Pattern**



ST77 - pg. 1

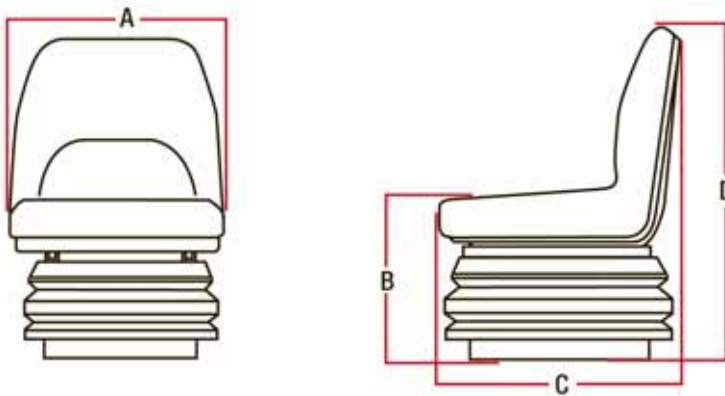


**A = 18.625"**      **C = 24"**  
**B = 5.86" - 6.65"**      **D = 22.5"**  
 (Range of Travel)

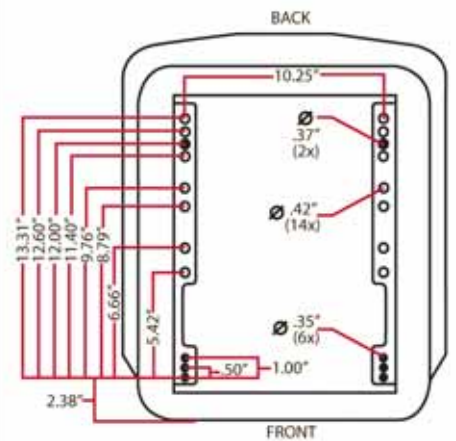


**Bolt Pattern**

ST78 - pg. 2

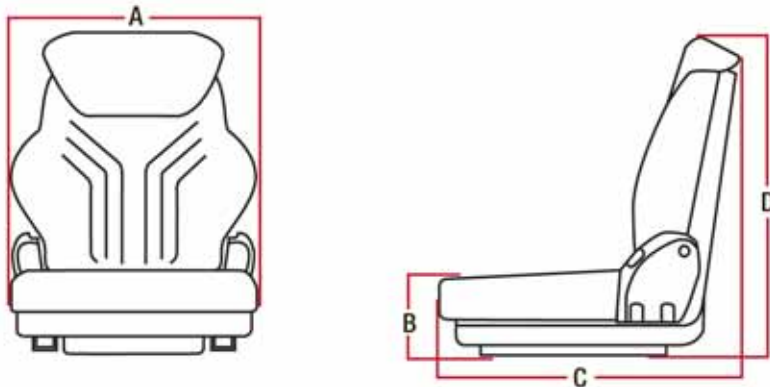


**A = 18"**      **C = 22.125"**  
**B = 12.5"**      **D = 26.25"**

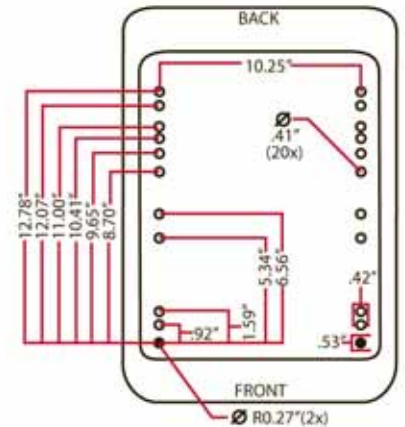


**Bolt Pattern**

ST79 - pgs. 3, 18

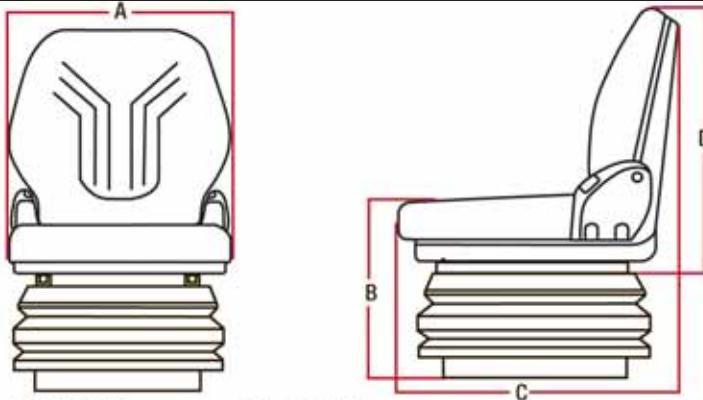


**A = 19"**      **C = 25.5"**  
**B = 9.45" - 11.81"**      **D = 25.25"**  
 (Range of Travel)

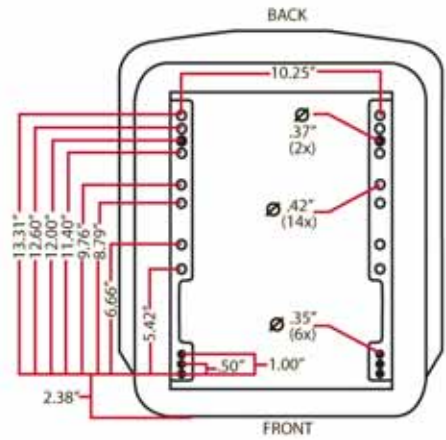


**Bolt Pattern**

ST80 - pg. 3

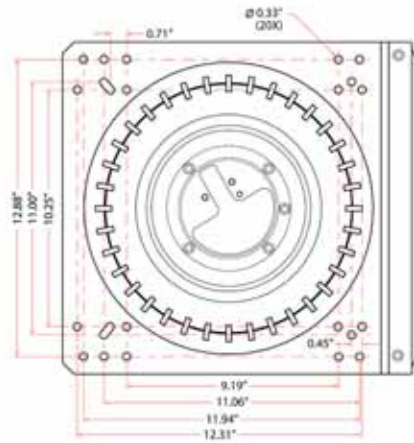


A = 18.625" C = 24"  
 B = 8.07" - 10.43" D = 29.25"  
 (Range of Travel)



Bolt Pattern

ST81 - pg. 3



Bolt Pattern