

Allis-Chalmers



A-70200145-13 Seat Pad, ORG/WHT,
22"W X 15.375"D X 6.5"H
NOTE: Check size of seat pad before ordering.

A-70231536-13 Large Seat Pad, ORG/WHT,
22"W X 15.375"D X 8.75"H

For Allis-Chalmers Models: CA, (D14, D15, D17, D19, D21 ALL CUSTOM), WC, WD, WD45, WF



A-70205693-1 Seat Cushion, BLK VINYL

A-70205693-12 Seat Cushion, GOLD VINYL

For Allis-Chalmers Models: (TRACTOR: A, B, C)



A-70236461-5 Seat Cushion, Wood Base, WHT/BLK

A-70236460-5 Back Cushion, Wood, WHT/BLK

For Allis-Chalmers Models: D10, D12, D14, D15, D17, D19, D21, 170, 175, (180, 185 ALL SN <12800), 190, 190XT, 190XTIII, 200 SN 4001>, 220, 220 FWA, 7030, 7050



A-70243515-S4 Seat Cushion, Steel Base,
WHT VINYL
NOTE: Steel or wood based seat cushion available.

A-70243515-W4 Seat Cushion, Wood Base,
WHT VINYL

A-70243517-4 Back Cushion, Wood Base,
WHT VINYL

A-70243516-4 Upper Back Cushion, WHT VINYL

For Allis-Chalmers Models: 170 DELUXE, 180 SUPER DELUXE, 200 SN <-4000, 220 DELUXE, (D12, D14, D15, D17, D19, D21 ALL SUPER DELUXE)



A-72073649-1 Seat Cushion, Canvas Base, BLK

A-72074116-1 Back Cushion, Wood Base, BLK

For Allis-Chalmers Models: (TRACTOR: 160)



A-70256350-1 Seat, Steel Pan, BLK VINYL

A-70255581-1 Back Rest, Steel, BLK VINYL

A-CS129-1V Arm Cushions (2) w/ Brackets, Steel

A-CK130-1V Seat Cushion Kit w/ Foam,
BLK VINYL

A-70255583-K1 Arm Cover Kit (1) w/ Foam,
BLK VINYL

For Allis-Chalmers Models: (TRACTOR: 170 DELUXE, (180, 185 ALL SN <-6559), 190 SN <-6000, 190XTIII, 200 SN 4001-6550, 210 SN <-6000, 7000, 7010, 7020, 7030, 7040, 7045, 7050, 7060, 7080, 7580, 8030, 8050, 8070, 8550)



A-CS140-1V Seat Assy. w/ Flip-Up Arms,
BLK VINYL

A-CSA100 Adaptor, Custom Seat to AC Models

For Allis-Chalmers Models: 175, (180, 185 ALL SN 6559->), 190 SN 6001->, 200 SN 6551->, 7000, 7010, 7020, 7030, 7040, 7045, 7050, 7060, 7080, 7580, 8010, 8030, 8050, 8070, 8550



A-CS108-1VT Custom Seat Assy. w/ Fold-Up Arms,
w/ Mounting Template

For Allis-Chalmers Models: 175, (180, 185 ALL SN 6559->), 190 SN 6001->, 200 SN 6551->, 4W220, 4W305, 6060, 6070, 6080, 7000, 7010, 7020, 7030, 7040, 7045, 7050, 7060, 7080, 7580, 8010, 8030, 8050, 8070, 8550



A-CS128-1V High Back Dishpan, BLK

A-AR128-1V Armrest Assembly For Seat Above

A-ST100 Slide Track Set

For Allis-Chalmers Models: (TRACTOR: 175, (180, 185 ALL SN 6559->), 190 SN 6001->, 200 SN 6551->, 4W220, 4W305, 6060, 6070, 6080, 7000, 7010, 7020, 7030, 7040, 7045, 7050, 7060, 7080, 7580, 8010, 8030, 8050, 8070, 8550)



A-1043315M91-1 Seat Cushion, Bolt On, Wood Base,
BLK

A-1043314M92-9 Back Cushion, Plastic Base, BLK

For Allis-Chalmers Models: A SN 30001->



A-VLD1590 16" Narrow Flip Style Dishpan w/ Brkts
NOTE: Black seat w/ mounting brackets (universal brackets allow the seat pan to be fitted to most compact tractor models)

For Allis-Chalmers Models: (TRACTOR: 5020, 5215)



A-CS126-1V Flip Style Dishpan w/ Brackets, 19.750"

A-VLD1628 Seat Bracket (1-LH & 1-RH)

A-CS126BRKT Bracket Hardware, For CS126-1V Seat
For Allis-Chalmers Models: 5215, 5220, 5230



A-T110BL Seat, Universal w/ Trapezoid Back, BLK

A-T110YL Seat, Universal w/ Trapezoid Back, YLW

A-AR22BL Armrest Assembly, RH/LH & Bracket, BLK

For Allis-Chalmers Models: FITS SEVERAL MODELS



A-T222BL Seat w/ Trapezoid Backrest, BLK

A-T222YL Seat w/ Trapezoid Backrest, YLW

A-T222BU Seat w/ Trapezoid Backrest, BLU

A-AR22BL Armrest Assembly LH/RH & Bracket, BLK

For Allis-Chalmers Models: FITS SEVERAL MODELS

*See pages 44-64 for reference pictures of seat dimensions and bolt patterns.



A-TKBL Cushion Kit, BLK
NOTE: Includes trapezoid backrest & seat bottom.
Fits Series T110, T222 & T300.

A-TKYL Cushion Kit, YLW

A-TKBU Cushion Kit, BLU

For Allis-Chalmers Models:



A-TF222BL Flip-Up Seat, Trapezoid Back, BLK
NOTE: Flip-up seat w/ full suspension, adjustable five angle base, slide track & mounting brackets.

A-TF222BU Flip-Up Seat, Trapezoid Back, BLU

A-TF222YL Flip-Up Seat, Trapezoid Back, YLW

A-AR22BL Armrest Assembly, RH/LH & Bracket, BLK

For Allis-Chalmers Models: FITS SEVERAL MODELS



A-TW01 Weight Adjusting Screw w/ Knob
NOTE: Upper one. Fits Series 110, 222, 223 & 300.

A-TW02 Upper Spring Retainer
NOTE: Has I.D. thread.

A-TW03 Shock Absorber
NOTE: 2 per seat on seat cushion support arms.

A-TW05 Roller
NOTE: 2 per seat on seat cushion support arms.

A-TW06 Slide
NOTE: 2 used per seat.

A-TW07 Height Adjusting Knob
NOTE: 2 per seat, located on side.

A-TW08 222 SERIES, SEAT PIN

For Allis-Chalmers Models:



A-W222BL Wrap Around Back w/ Arms, BLK

A-W222BU Wrap Around Back w/ Arms, BLU

A-W222YL Wrap Around Back w/ Arms, YLW

For Allis-Chalmers Models: FITS SEVERAL MODELS



A-W223BL Wrap Around Back w/ Arms, Plastic, BLK
**Ref. ST10*

A-W223BU Wrap Around Back w/ Arms, Plastic, BLU

A-W223YL Wrap Around Back w/ Arms, Plastic, YLW

For Allis-Chalmers Models: FITS SEVERAL MODELS



A-W300BL Wrap Around Back w/ Arms, BLK
NOTE: Flat horizontal slide track base, w/ 2.375" vertical and 5.875" horizontal travel adjustment.

A-W300BU Wrap Around Back w/ Arms, BLU

For Allis-Chalmers Models: FITS SEVERAL MODELS



A-WF222BL Flip-Up Seat, Wrap Around Back, BLK
NOTE: Flip-up seat w/ full suspension, adjustable 5 angle base, slide track & mounting brackets.

A-WF222BU Flip-Up Seat, Wrap Around Back, BLU

A-WF222YL Flip-Up Seat, Wrap Around Back, YLW

For Allis-Chalmers Models: FITS SEVERAL MODELS



A-WKBL Cushion Kit, BLK
NOTE: Includes wrap-around backrest & seat bottom.
Fits Series W222, W223 & W300.

A-WKYL Cushion Kit, YLW

A-WKBU Cushion Kit, BLU

For Allis-Chalmers Models:



A-VLD1590 16" Narrow Flip Style Dishpan w/ Brkts
NOTE: Black seat w/ mounting brackets (universal brackets allow the seat pan to be fitted to most compact tractor models)

For Allis-Chalmers Models:



A-TM333GR Michigan Style Seat, w/o Slide Track, GRY
**Ref. ST09*

A-TM333BL Michigan Style Seat, w/o Slide Track, BLK

A-TM333YL Michigan Style Seat, w/o Slide Track, YLW

For Allis-Chalmers Models:



A-TM555BL Seat, Michigan Style, BLK
NOTE: Deluxe Cushion, w/o Slide Track

A-TM555GR Seat, Michigan Style, GRY

A-TM555YL Seat, Michigan Style, YLW

A-TM555CA Seat, Michigan Style, CAMO

A-SSM100 Seat Suspension, Scissor Type

For Allis-Chalmers Models:



A-TMS111GR Seat, Michigan Style, w/ Slide Track, Deluxe Cushion, GRY
**Ref. ST05*

A-TMS111BL Seat, Michigan Style, w/ Slide Track, Deluxe Cushion, BLK

A-TMS111YL Seat, Michigan Style, w/ Slide Track, Deluxe Cushion, YLW

A-SSM100 Seat Suspension, Scissor Type

A-ST100 Slide Track Set

For Allis-Chalmers Models:



A-TMS444GR Seat, Michigan Style, w/ Slide Track, GRY
**Ref. ST12*

A-TMS444BL Seat, Michigan Style, w/ Slide Track, BLK

A-TMS444YL Seat, Michigan Style, w/ Slide Track, YLW

A-SSM100 Seat Suspension, Scissor Type

A-ST100 Slide Track Set

For Allis-Chalmers Models:

*See pages 44-64 for reference pictures of seat dimensions and bolt patterns.



A-LGS100BL Seat, Lawn & Garden, w/ Slide Track, BLK *Ref. ST06
A-LGS100YL Seat, Lawn & Garden, w/ Slide Track, YLW
A-SSM100 Seat Suspension, Scissor Type
A-ST100 Slide Track Set
For Allis-Chalmers Models:



A-SSM100 Seat Suspension, Scissor Type *Ref. ST14
 NOTE: Suspension for seats: TM555BL, TMS555YL, TM555CA, TM555GR, TM333BL & TM333YL, TM333GR, LGS100YL & LGS100BL
For Allis-Chalmers Models: FITS SEVERAL MODELS



A-ST100 Slide Track Set *Ref. ST13
 NOTE: Used with seats: TMS111BL, TMS111YL, TMS444BL & TMS444YL, LGS100YL, LGS100BL
For Allis-Chalmers Models:



A-LMS2002 Seat, Lawn/Garden, BLK *Ref. ST07
A-LMS2002YL Seat, Lawn/Garden, YLW
For Allis-Chalmers Models:



A-T500GY Seat, Universal w/ Slide Track & Flip-Up Armrests, Plastic Pan, GRY VINYL *Ref. ST15
A-T500BL Seat, Universal w/ Slide Track & Flip-Up Armrests, BLK
 NOTE: For most tractors, off-road equipment & mowers with flat mounting base.
A-T500ARM Armrests, Adjustable, BLK
 NOTE: Set of 2.
For Allis-Chalmers Models:



A-FLS122BL Forklift Seat, BLK *Ref. ST23
 NOTE: Fits most forklifts
For Allis-Chalmers Models:



A-FLS322BL Forklift Seat, Shock Absorbing Spring, BLK *Ref. ST20
 NOTE: Fits most forklifts
For Allis-Chalmers Models:



A-CS126-1V Flip Style Dishpan w/ Brackets, 19.750" *Ref. ST26
A-VLD1628 Seat Bracket (1-LF & 1-RT)
A-CS126BRKT Bracket Hardware, For CS126-1V Seat
For Allis-Chalmers Models:



A-CS128-1V High Back Dishpan, BLK *Ref. ST17
A-AR128-1V Armrest Assembly For Seat Above
A-ST100 Slider Track Set
For Allis-Chalmers Models:



A-CS133-1V High Back, Moulded Dishpan Seat, BLK *Ref. ST27
A-ST100 Slide Track Set
For Allis-Chalmers Models:



A-CS140-1V Seat Assy. w/ Flip-Up Arms, BLK VINYL *Ref. ST19
A-CSA100 Adaptor, Custom Seat to AC Models
For Allis-Chalmers Models: FITS SEVERAL MODELS



A-HIS360 High Back Industrial Seat w/ Suspension, Slide Track & Armrests, BLK *Ref. ST18
For Allis-Chalmers Models:



A-RSB2 Retractable Seat Belt
For Allis-Chalmers Models:



A-72100790 Dishpan, Flip Style w/ Brackets (19.750")
For Allis-Chalmers Models: (5015, 5215, 5220 ALL HST), (5215, 5220, 5230 ALL Synchro-Shift)



A-T122BL Seat, Non-Susp./Slide Track/BLK *Ref. ST43
For Allis-Chalmers Models: FITS SEVERAL MODELS



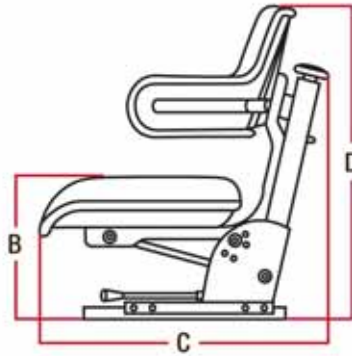
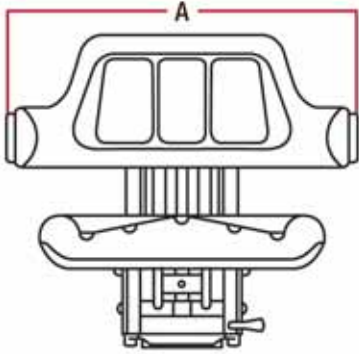
A-AR1500-1V Armrest Assembly for Speer Seat
For Allis-Chalmers Models: 175, 180 (SN 6559->), 185 (SN 6559->), 190 (SN 6001->), 200 (SN 6551->), 4W220, 4W305, 6060, 6070, 6080, 7000, 7010, 7020, 7030, 7040, 7045, 7050, 7060, 7080, 7580, 8010, 8030, 8050, 8070, 8550



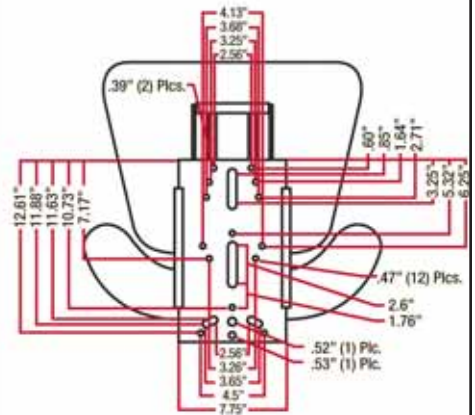
A-SBKT Seat Belt
For Allis-Chalmers Models: FITS SEVERAL MODELS
 For Universal Seats

*See pages 44-64 for reference pictures of seat dimensions and bolt patterns.

ST01 - pgs. 6, 14, 20, 24, 29, 31, 35, 39, 42

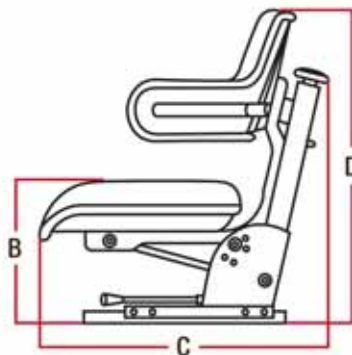
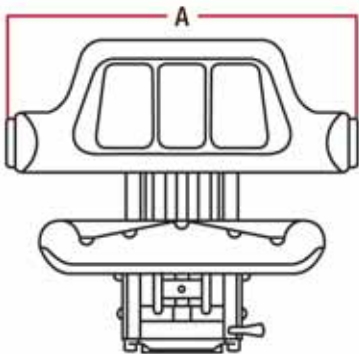


A = 22"
B = 11" (flip-up)
C = 22.75"
D = 20.25"

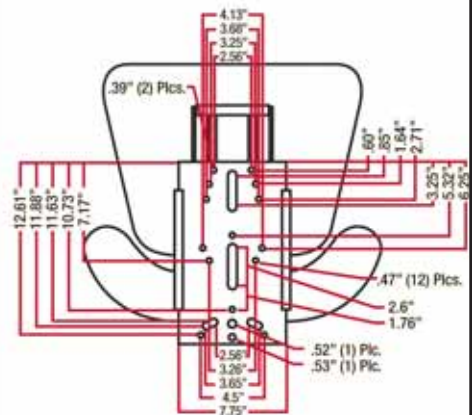


Bolt Pattern

ST02 - pgs. 7, 14, 19, 21, 24, 31, 35, 42

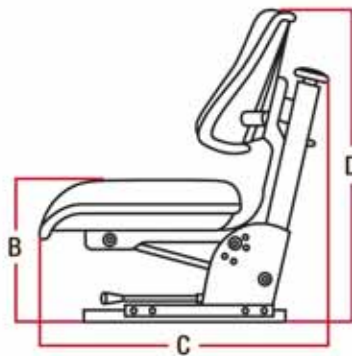
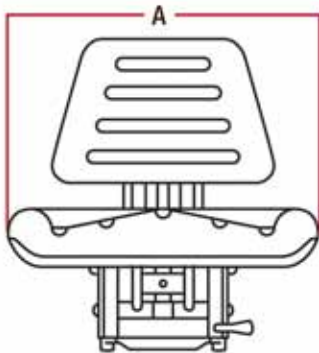


A = 21.75"
B = 9.5"
C = 21.25"
D = 20.5"

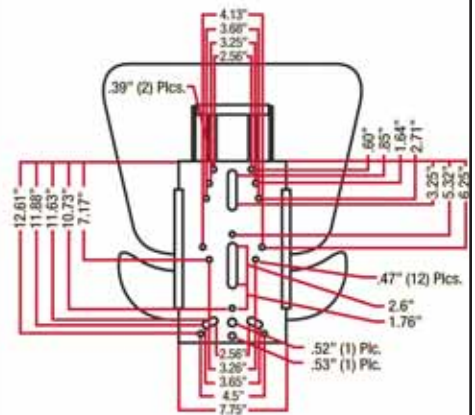


Bolt Pattern

ST03 - pgs. 7, 14, 19, 24, 31, 35, 39, 41

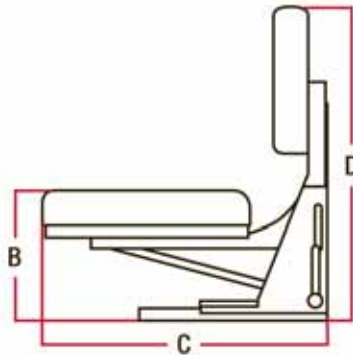
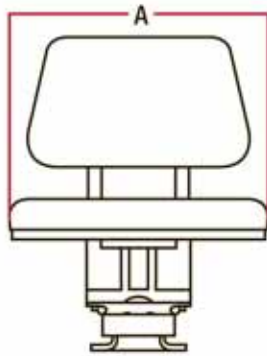


A = 20"
B = 11" (flip-up)
C = 21.5"
D = 21.5"



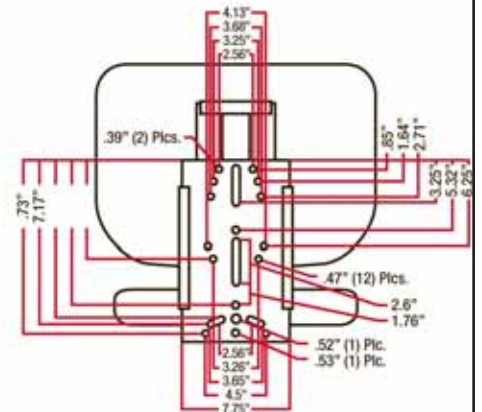
Bolt Pattern

ST04 - pgs. 8, 13, 19, 24, 31, 35, 39, 41



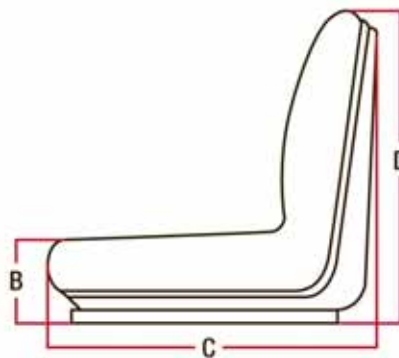
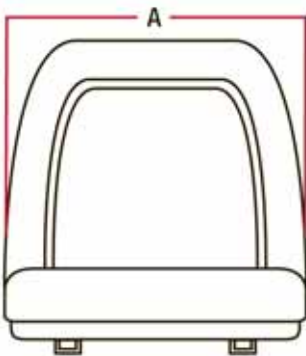
A = 18.5"
B = 8.5"

C = 20"
D = 21"



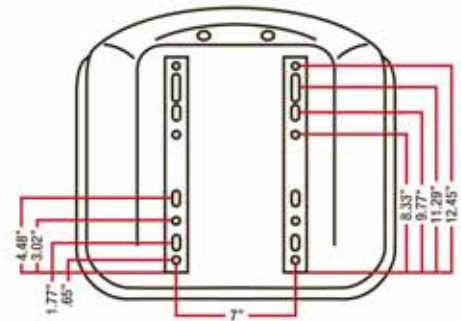
Bolt Pattern

ST05 - pgs. 9, 14, 20, 24, 32, 36, 40, 42



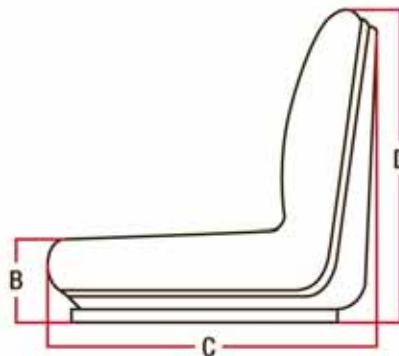
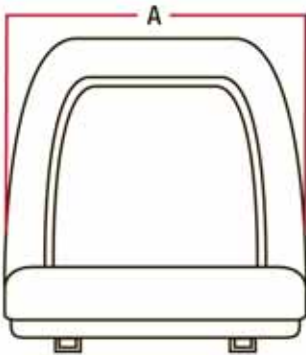
A = 18"
B = 5"

C = 15.625"
D = 18"



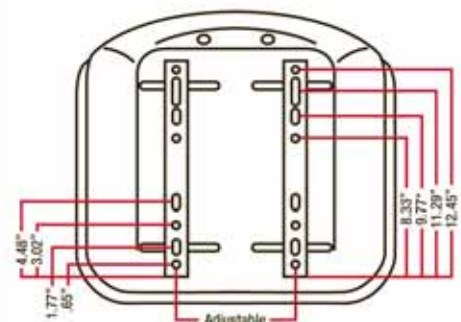
Bolt Pattern

ST06 - pgs. 10, 15, 20, 25, 32, 36, 39, 42



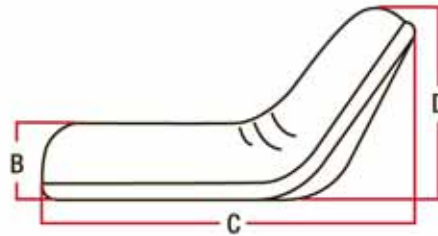
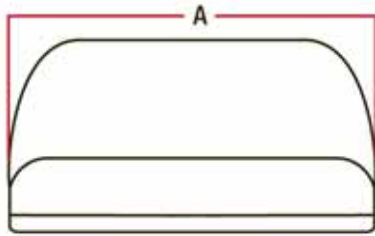
A = 15.5"
B = 3"

C = 18"
D = 14.5"



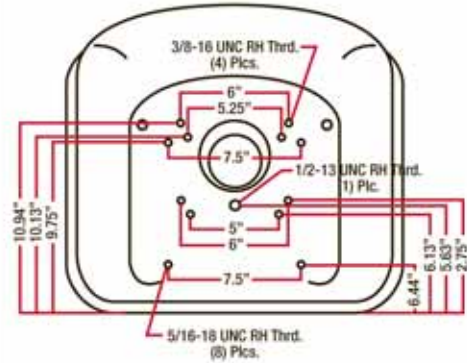
Bolt Pattern

ST07 - pgs. 9, 15, 20, 25, 26, 32, 36, 38, 43



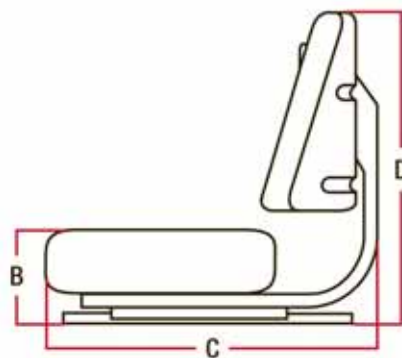
A = 19"
B = 3"

C = 18.5"
D = 13"



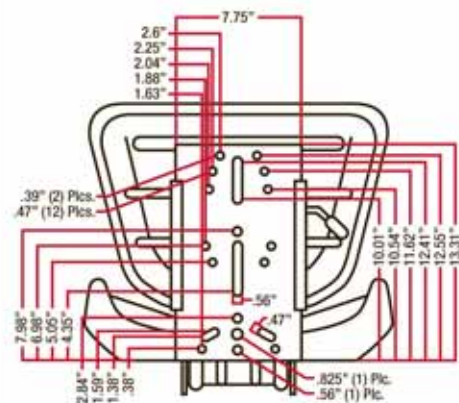
Bolt Pattern

ST08 - pgs. 5, 13, 19, 23, 30, 34, 39, 41



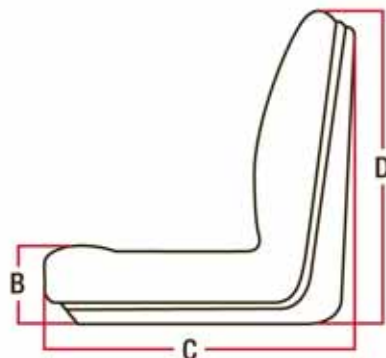
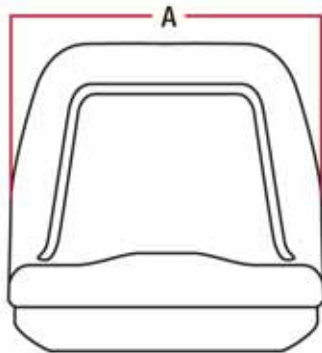
A = 18.5"
B = 6.25"

C = 18.5"
D = 17.75"



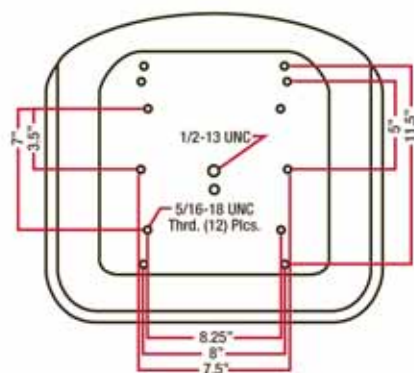
Bolt Pattern

ST09 - 10, 14, 20, 24, 31, 35, 39, 42



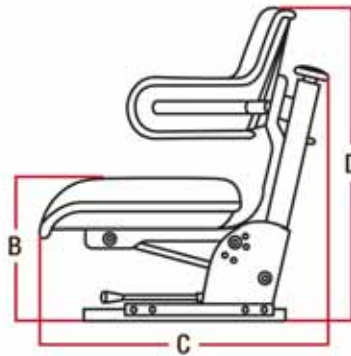
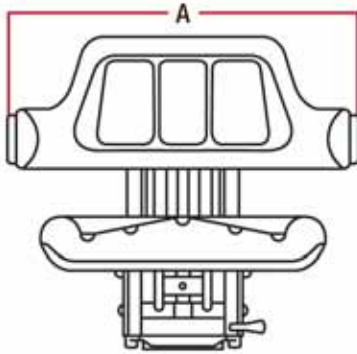
A = 18"
B = 5.5"

C = 18.25"
D = 13.25"

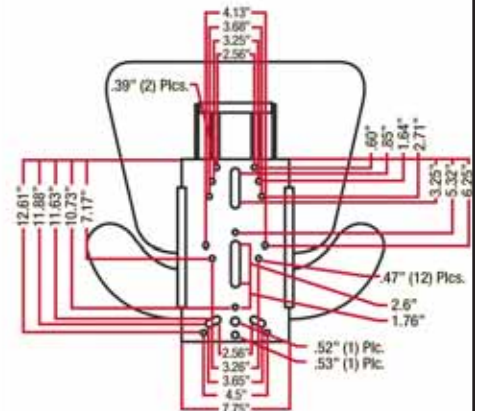


Bolt Pattern

ST10 - pgs. 5, 14, 20, 21, 23, 31, 35, 42

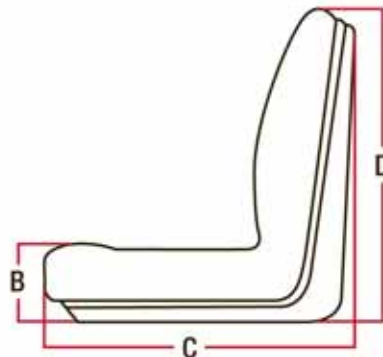
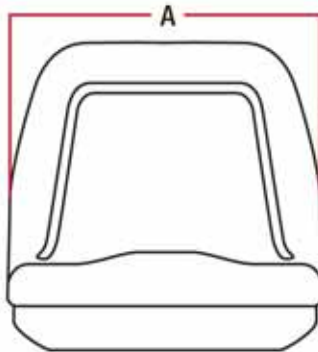


A = 19.5" **C = 19.5"**
B = 10.5" **D = 19.5"**

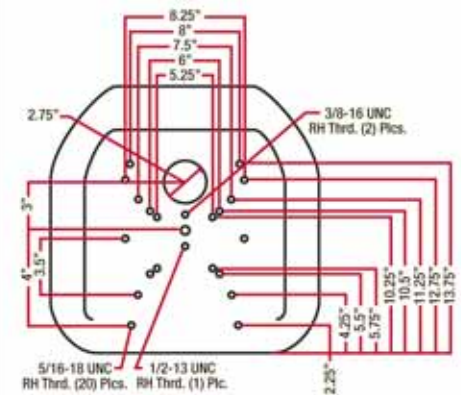


Bolt Pattern

ST11 - 9, 14, 20, 24, 31, 35, 39, 42

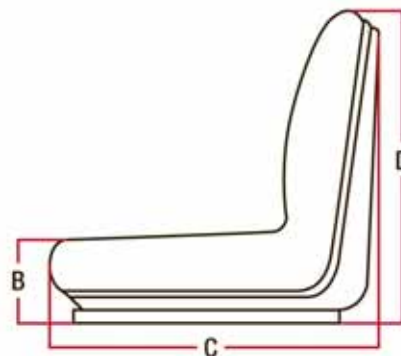
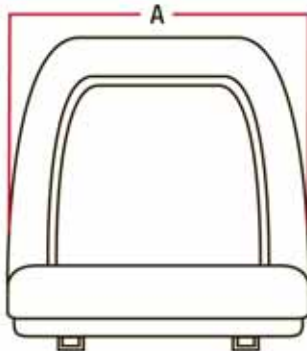


A = 18.5" **C = 19.5"**
B = 5.5" **D = 16"**

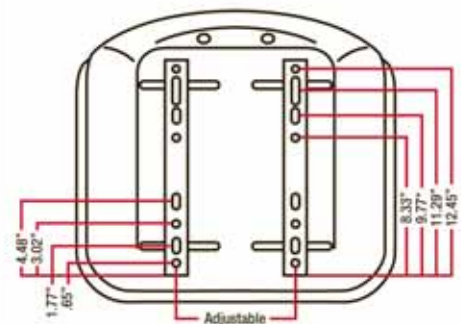


Bolt Pattern

ST12 - pgs. 10, 14, 20, 24, 32, 36, 40, 42

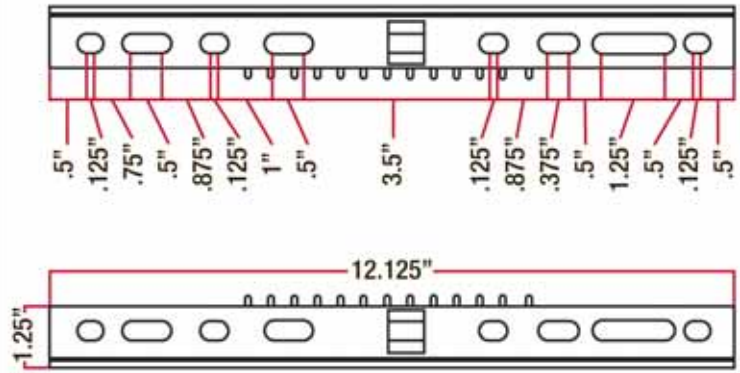


A = 18.25" **C = 19.5"**
B = 4" **D = 15.75"**



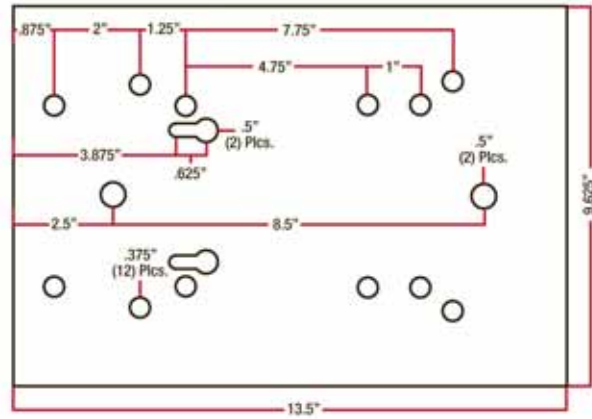
Bolt Pattern

ST13 - pgs. 4, 9, 15, 20, 25, 32, 36, 37, 40, 42



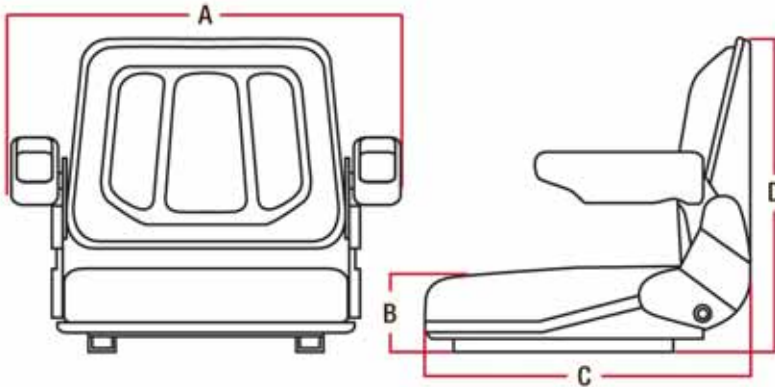
Bolt Pattern

ST14 - pg. 10, 15, 20, 25, 32, 36, 38, 40



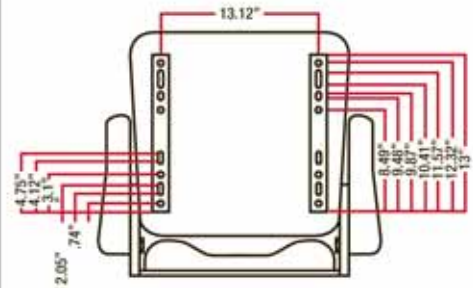
Bolt Pattern

ST15 - pgs. 11, 15, 21, 25, 32, 36, 43



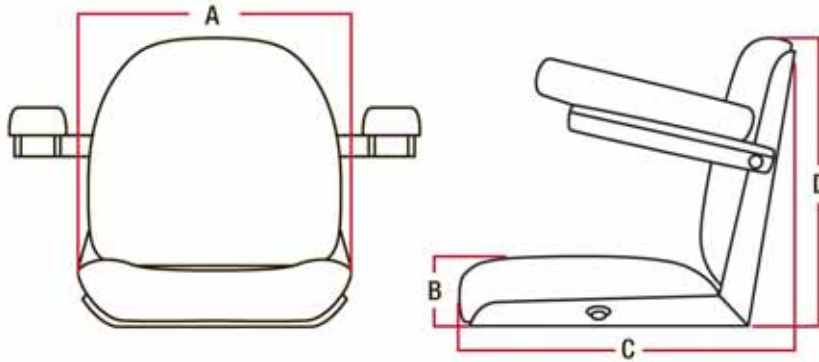
A = 22.75"
B = 5"

C = 20"
D = 18.25"

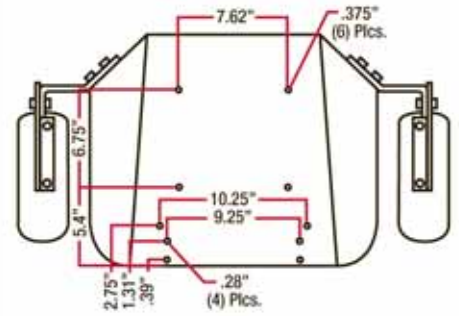


Bolt Pattern

ST16 - pg. 16

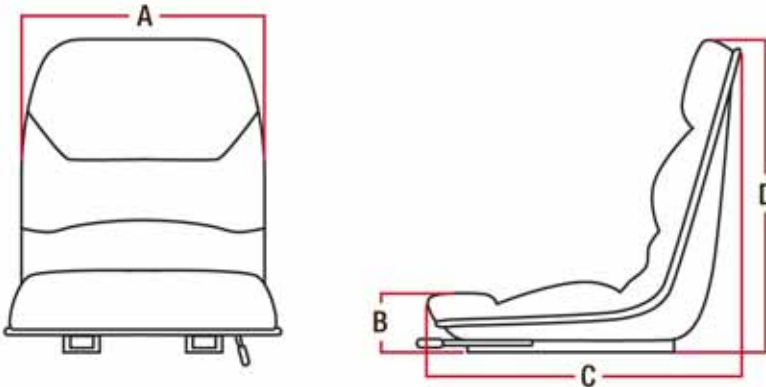


A = 21" **C = 16.5"**
B = 4" **D = 18"**

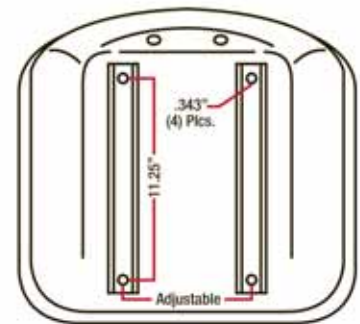


Bolt Pattern

ST17 - pgs. 4, 13, 15, 16, 18, 21, 22, 25, 26, 32, 36, 37, 38, 40, 43

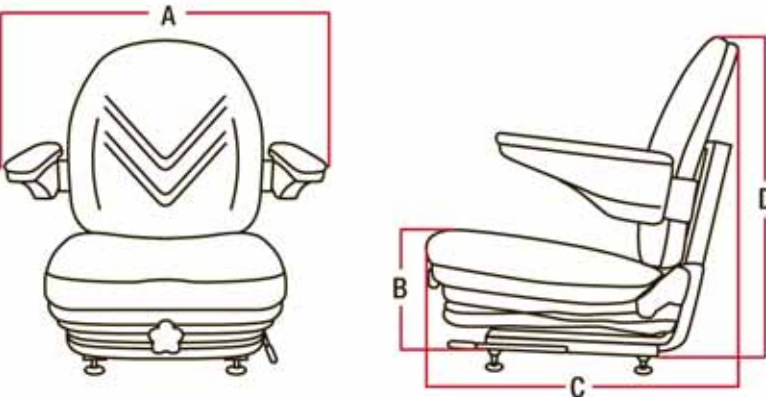


A = 17.5" **C = 21.5"**
B = 4.25" **D = 20.5"**

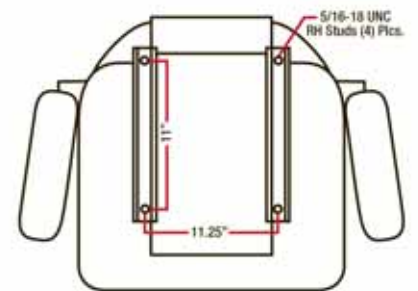


Bolt Pattern

ST18 - pgs. 12, 15, 21, 25, 32, 36, 39, 43

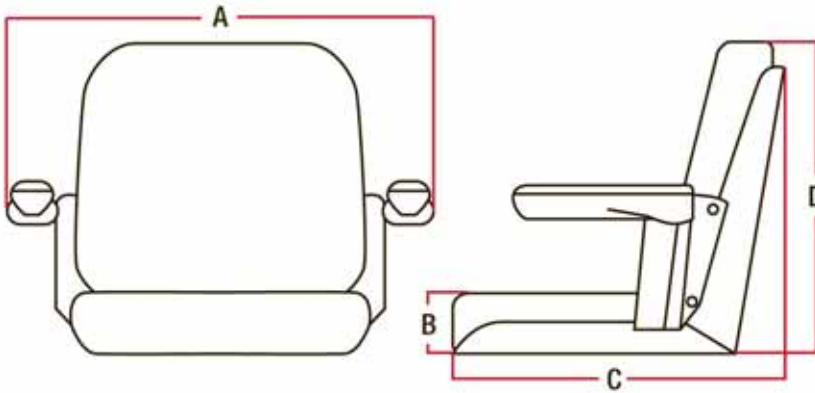


A = 23.625" **C = 23.5"**
B = 10.5" **D = 25.25"**

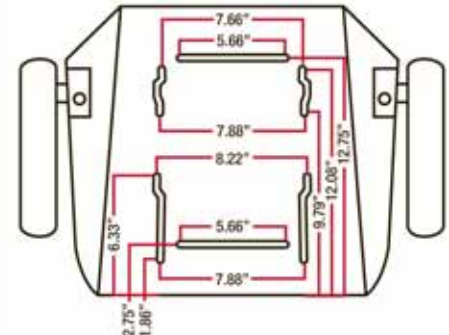


Bolt Pattern

ST19 - pgs. 11, 13, 15, 16, 18, 21, 25, 32, 34, 36, 38, 40, 43

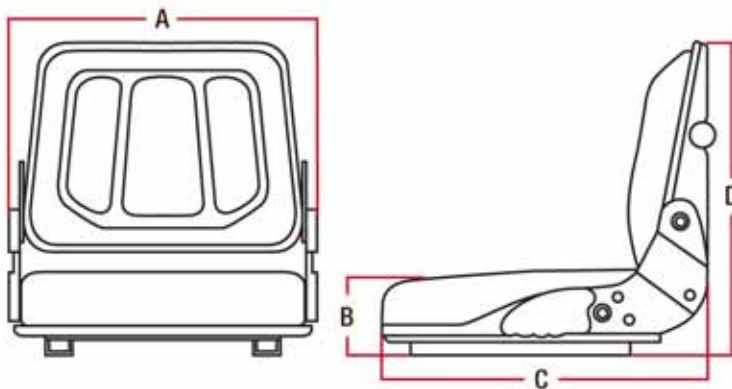


A = 24.625" **C = 15.75"**
B = 2.75" **D = 17.375"**

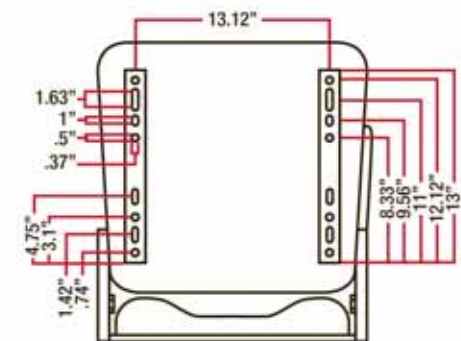


Bolt Pattern

ST20 - pgs. 12, 15, 21, 25, 32, 36, 39, 43

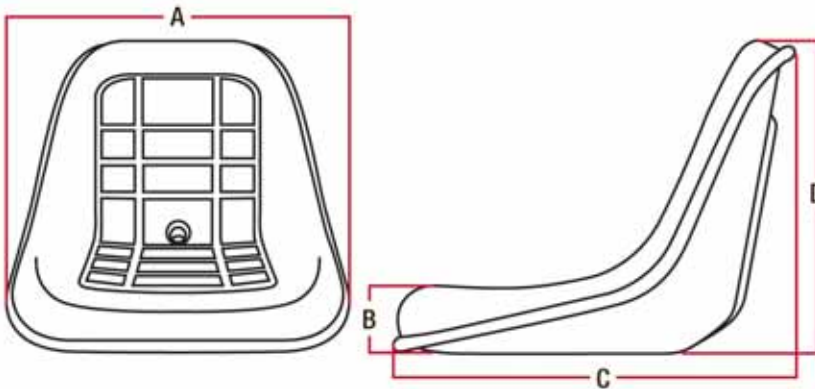


A = 17.75" **C = 15.5"**
B = 5" **D = 19"**

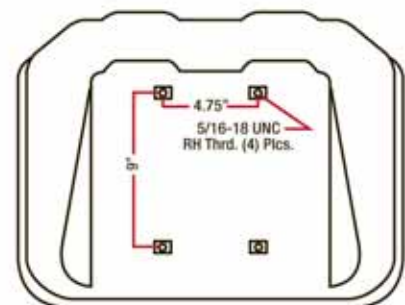


Bolt Pattern

ST21 - pg. 16

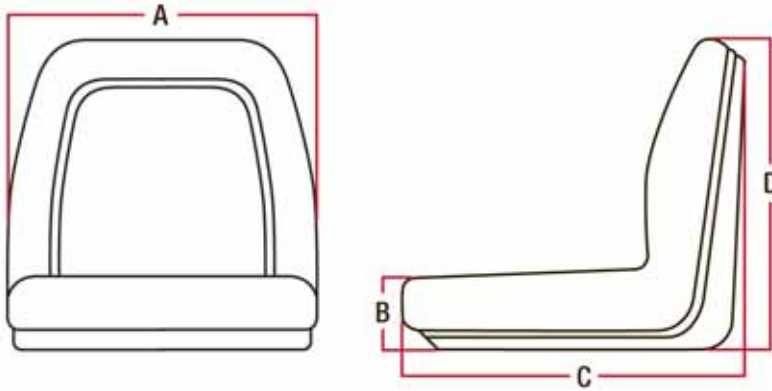


A = 18.5" **C = 17"**
B = 3" **D = 13.5"**

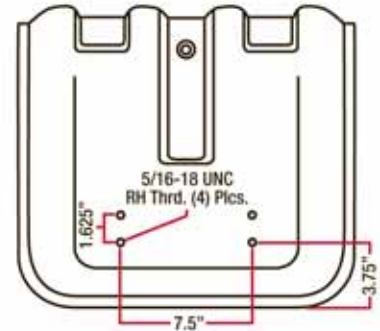


Bolt Pattern

ST22 - pgs. 4, 13, 14, 16, 20, 22, 24, 26, 27, 31, 34, 35, 38, 41, 42

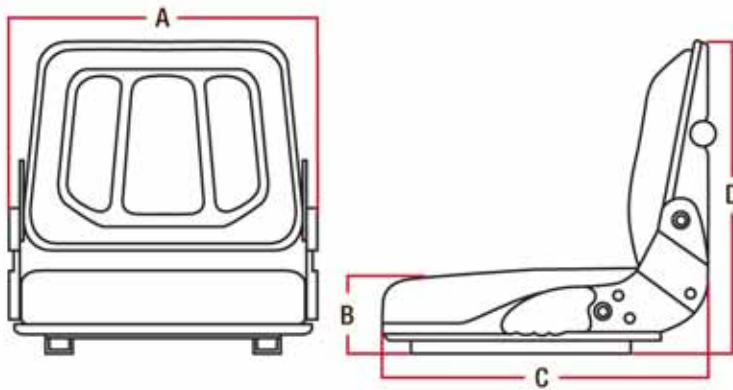


A = 16"
B = 3"
C = 20"
D = 13.5"

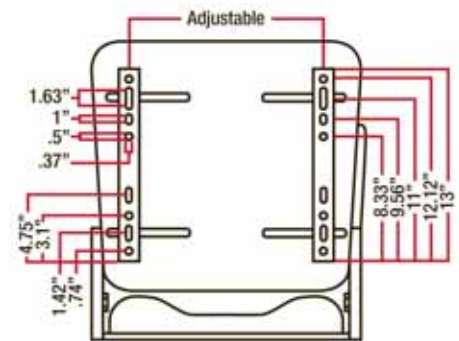


Bolt Pattern

ST23 - pgs. 12, 15, 21, 25, 32, 36, 39, 43

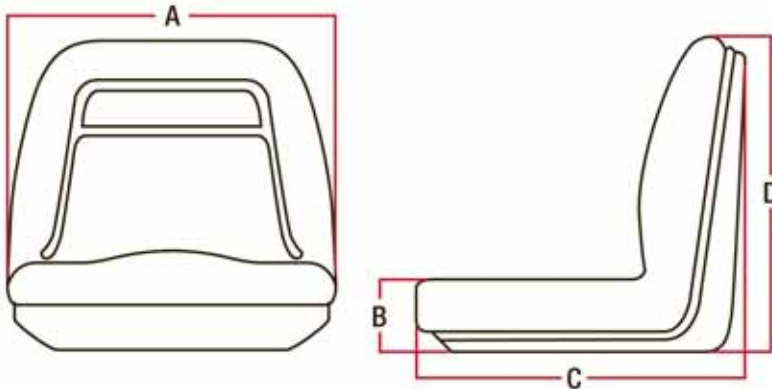


A = 17.75"
B = 5"
C = 15.5"
D = 18.75"

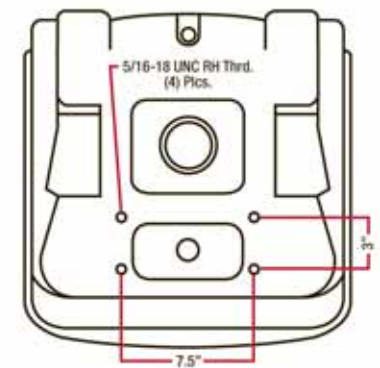


Bolt Pattern

ST24 - pg. 30

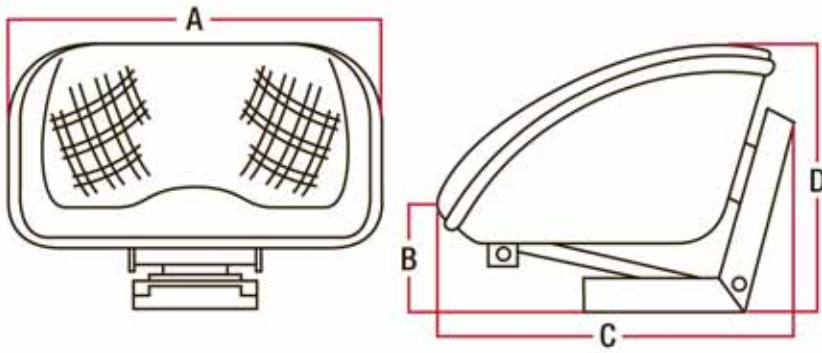


A = 17.5"
B = 3.75"
C = 20.5"
D = 18.5"

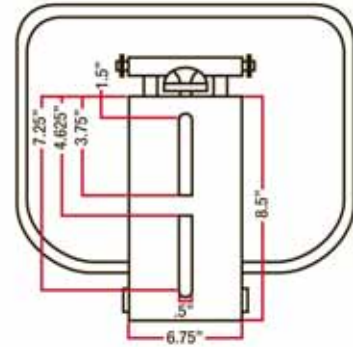


Bolt Pattern

ST25 - pgs. 12, 38

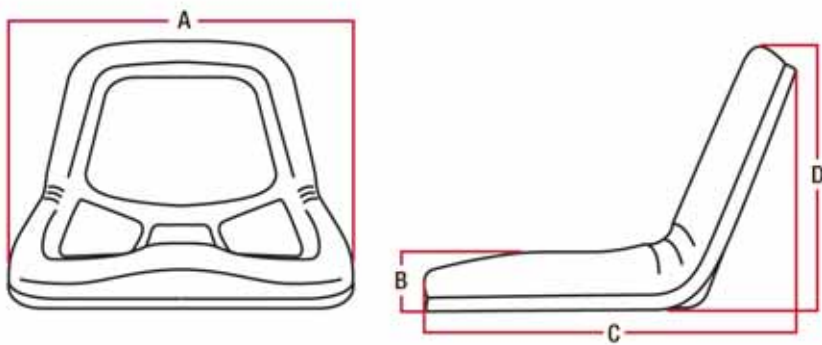


A = 21.25" **C = 20.25"**
B = 9.25" **D = 15.75"**

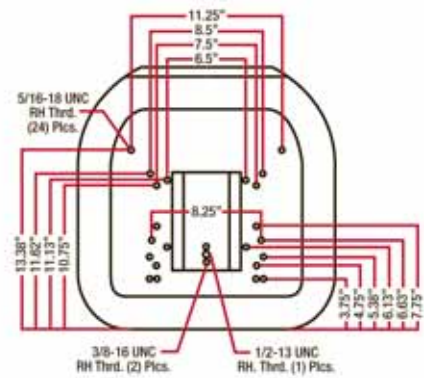


Bolt Pattern

ST26 - pgs. 4, 13, 15, 21, 23, 25, 26, 34, 36, 38, 41, 43

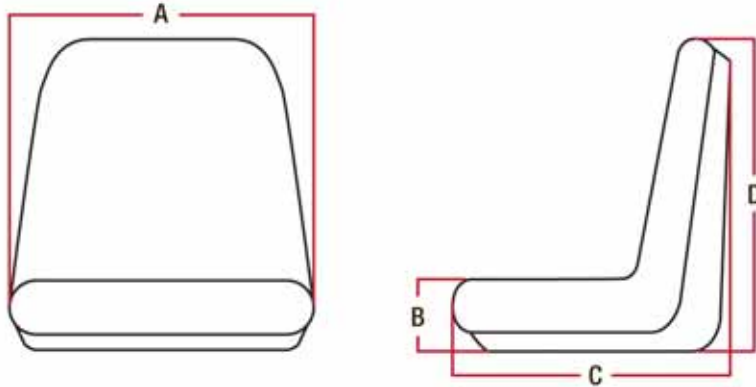


A = 19.5" **C = 20"**
B = 3.25" **D = 13.5"**

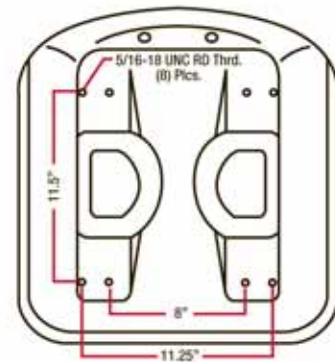


Bolt Pattern

ST27 - pgs. 4, 15, 18, 21, 25, 26, 32, 36, 38, 43

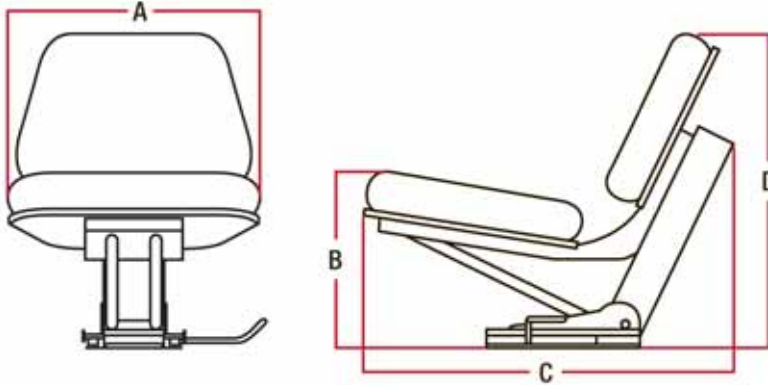


A = 19.375" **C = 23"**
B = 4.25" **D = 22"**

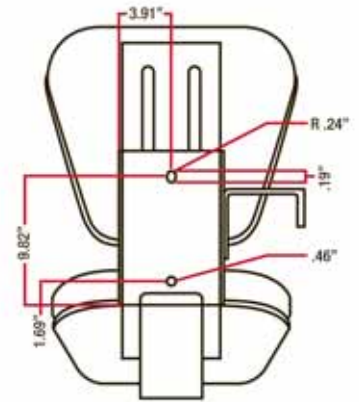


Bolt Pattern

ST42 - pg. 30

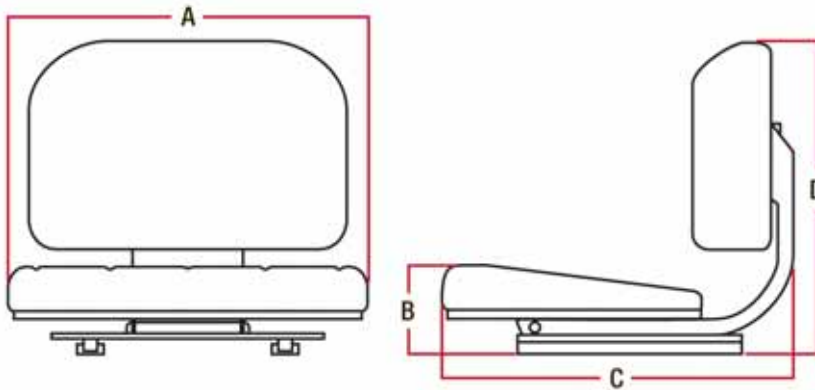


A = 19" **C = 26.5"**
B = Adjustable **D = 24.11"**

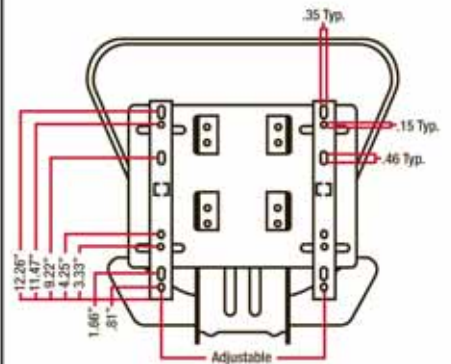


Bolt Pattern

ST43 - pgs. 5, 15, 21, 25, 30, 37, 43

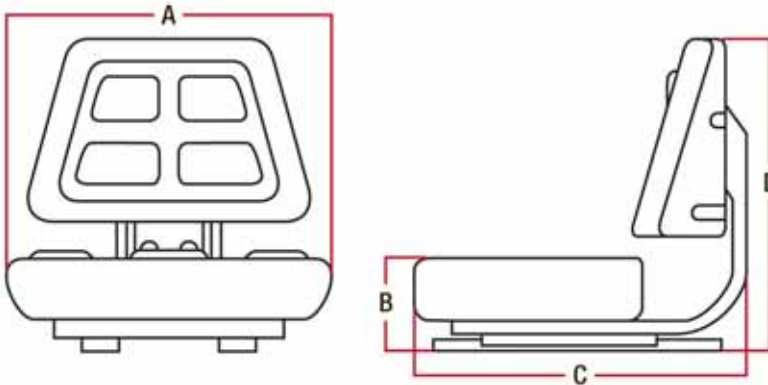


A = 20" **C = 20"**
B = 6.5" **D = 16.25"**

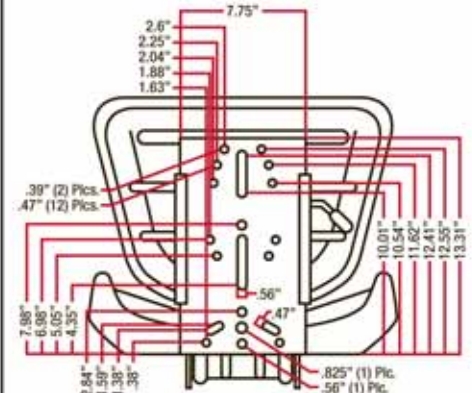


Bolt Pattern

ST44 - pgs. 14, 20, 24, 31, 35, 39, 42



A = 20.25" **C = 20.25"**
B = 9" **D = 19.75"**



Bolt Pattern